

https://www.phoenixcontact.com/cn/products/1689705




D-SUB panel mounting frames - VS-09-A-GC-ST/ST - 1689705

Please be informed that the data shown in this PDF Document is generated from our Online Catalog. Please find the complete data in the user's documentation. Our General Terms of Use for Downloads are valid (<http://phoenixcontact.com/download>)

D-SUB panel mounting frame, shell size 1, with nine signal contacts, pin, gender changer, shielded, IP67 degree of protection



Key Commercial Data

Packing unit	5 STK
Minimum order quantity	5 STK
GTIN	 4 017918 929053
GTIN	4017918929053
Custom tariff number	8536901900
Sales Key	ABNJAE

Technical data

Mechanical characteristics

Number of positions	9
Insertion/withdrawal cycles	≥ 200
Color	gray
Degree of protection	IP67
Design	D-SUB 9
Size of housing	1

Ambient conditions

Ambient temperature (operation)	-40 °C ... 80 °C
---------------------------------	------------------

Material data

Flammability rating according to UL 94	V0
Housing material	PA
Contact carrier material	Polyester GF
Contact material	Copper alloy
Contact surface material	Hard gold-plated over nickel

D-SUB panel mounting frames - VS-09-A-GC-ST/ST - 1689705

Technical data

Material data

Material	Plastic
Sealing material	Flat gasket: NBR; profile gasket: EPDM
Seal material	Flat gasket: NBR; profile gasket: EPDM

Electrical characteristics

Number of positions	9
Rated current	5 A
Overvoltage category	III
Degree of pollution	2
Rated voltage (III/3)	125 V

Standards and Regulations

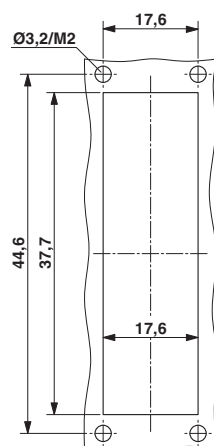
Flammability rating according to UL 94	V0
--	----

Environmental Product Compliance

China RoHS	Environmentally Friendly Use Period = 50
	For details about hazardous substances go to tab "Downloads", Category "Manufacturer's declaration"

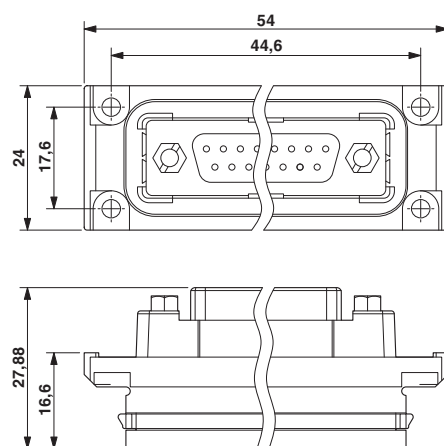
Drawings

Dimensional drawing



Mounting cutout: VS-09-A...

Dimensional drawing



D-SUB panel mounting frame

Approvals

Approvals

Approvals

EAC

<https://www.phoenixcontact.com/cn/products/1689705>




D-SUB panel mounting frames - VS-09-A-GC-ST/ST - 1689705

Approvals

Ex Approvals

Approval details

EAC		B.01742
-----	---	---------

Phoenix Contact 2017 © - all rights reserved
<http://www.phoenixcontact.com>