

https://www.phoenixcontact.com/cn/products/1689912



## D-SUB contact insert - VS-25-ST-DSUB-FK - 1689912


Please be informed that the data shown in this PDF Document is generated from our Online Catalog. Please find the complete data in the user's documentation. Our General Terms of Use for Downloads are valid (<http://phoenixcontact.com/download>)



D-SUB contact insert, shell size 3, with 25 signal contacts, type of contact pin, flat-ribbon cable connection, angled, fixing with a 3 mm hole, for panel mounting frame VS-25-...

RoHS

### Key Commercial Data

Packing unit	10 STK
GTIN	 4 017918 914318
GTIN	4017918914318
Custom tariff number	8536909000
Sales Key	ABNJCB

### Technical data

#### Mechanical characteristics

Number of positions	25
Connection profile	25-pos. D-SUB
Insertion/withdrawal cycles	≥ 50
Connection method	Flat-ribbon cable connection
Mounting type	Hole
Design	25
Size of housing	3

#### Ambient conditions

Ambient temperature (operation)	-55 °C ... 105 °C
---------------------------------	-------------------

#### Material data

Flammability rating according to UL 94	V0
Housing material	Sheet steel
Contact carrier material	Polyester GF
Contact material	Copper alloy
Contact surface material	Hard gold-plated over nickel

03/17/2017 Page 1 / 3

# D-SUB contact insert - VS-25-ST-DSUB-FK - 1689912

## Technical data

### Electrical characteristics

Number of positions	25
Rated current	1 A
Overvoltage category	III
Degree of pollution	2
Rated voltage (III/3)	125 V

### Standards and Regulations

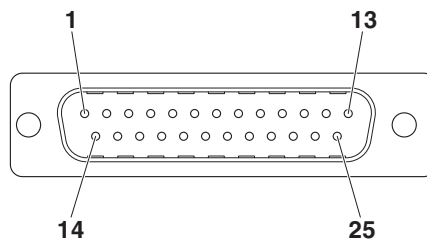
Flammability rating according to UL 94	V0
--	----

### Environmental Product Compliance

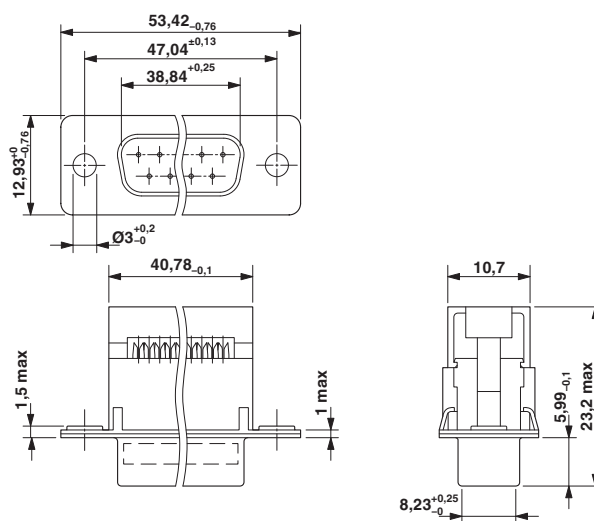
China RoHS	Environmentally Friendly Use Period = 50
	For details about hazardous substances go to tab "Downloads", Category "Manufacturer's declaration"

## Drawings

Schematic diagram



Dimensional drawing



### D-SUB contact insert

<https://www.phoenixcontact.com/cn/products/1689912>



## D-SUB contact insert - VS-25-ST-DSUB-FK - 1689912

### Approvals

Approvals

---

Approvals


EAC

---

Ex Approvals

---

### Approval details

EAC		B.01742
-----	---	---------

---

Phoenix Contact 2017 © - all rights reserved  
<http://www.phoenixcontact.com>