

https://www.phoenixcontact.com/cn/products/1689983



## D-SUB contact support - VS-25-BU-DSUB-5P - 1689983


Please be informed that the data shown in this PDF Document is generated from our Online Catalog. Please find the complete data in the user's documentation. Our General Terms of Use for Downloads are valid (<http://phoenixcontact.com/download>)



D-SUB contact carrier, shell size 3, accommodation for five combined contacts, type of contact socket, straight, fixing with a 3 mm hole, for panel mounting frame and sleeve housing VS-25-...



### Key Commercial Data

Packing unit	10 STK
Minimum order quantity	10 STK
GTIN	 4 017918 914387
GTIN	4017918914387
Custom tariff number	8536909000
Sales Key	ABNJCB

### Technical data

#### Mechanical characteristics

Number of positions	5
Insertion/withdrawal cycles	≥ 500
Connection method	Fitting to accept combined contact
Mounting type	Hole
Design	D-SUB 25
Size of housing	3

#### Ambient conditions

Ambient temperature (operation)	-55 °C ... 125 °C
---------------------------------	-------------------

#### Material data

Flammability rating according to UL 94	V0
Housing material	Steel, yellow chromated
Contact carrier material	PBTP
Contact surface material	Gold over nickel

https://www.phoenixcontact.com/cn/products/1689983



# D-SUB contact support - VS-25-BU-DSUB-5P - 1689983

## Technical data

### Electrical characteristics

Number of positions	5
---------------------	---

### Standards and Regulations

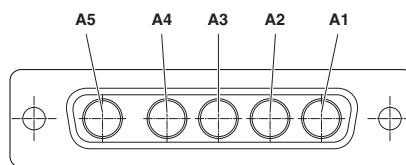
Flammability rating according to UL 94	V0
--	----

### Environmental Product Compliance

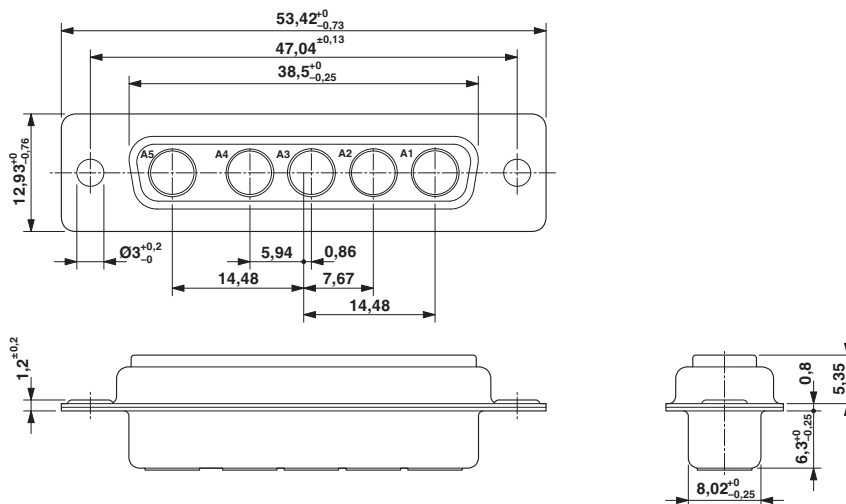
China RoHS	Environmentally friendly use period: unlimited = EFUP-e
	No hazardous substances above threshold values

## Drawings

Schematic diagram



Dimensional drawing



D-SUB contact carrier

## Approvals

### Approvals

Approvals

UL Recognized / EAC

<https://www.phoenixcontact.com/cn/products/1689983>



## D-SUB contact support - VS-25-BU-DSUB-5P - 1689983

### Approvals

---

Ex Approvals

---

### Approval details

UL Recognized		<a href="http://database.ul.com/cgi-bin/XYV/template/LISEXT/1FRAME/index.htm">http://database.ul.com/cgi-bin/XYV/template/LISEXT/1FRAME/index.htm</a>	FILE E 118976
---------------	---	---	---------------

EAC			B.01742
-----	---	--	---------

---

Phoenix Contact 2017 © - all rights reserved  
<http://www.phoenixcontact.com>