

https://www.phoenixcontact.com/cn/products/1706714



## PCB terminal block - ZFKDS 1,5-W-5,08 - 1706714

Please be informed that the data shown in this PDF Document is generated from our Online Catalog. Please find the complete data in the user's documentation. Our General Terms of Use for Downloads are valid (<http://phoenixcontact.com/download>)

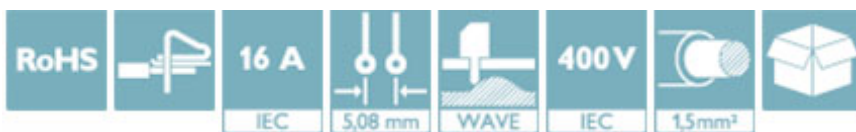


PCB terminal block, Nominal current: 16 A, Nom. voltage: 400 V, Pitch: 5.08 mm, Number of positions: 1, Connection method: Spring-cage connection, Mounting: Wave soldering, Conductor/PCB connection direction: 45°, Color: green, The article can be aligned to create different nos. of positions!


The illustration shows an 8-position version, with and without actuation rocker

### Why buy this product

- ✓ Defined contact force ensures that contact remains stable over the long term
- ✓ Can be operated without tools by means of color-coded actuating lever
- ✓ Angled connection enables multi-row arrangement on the PCB
- ✓ The latching on the side enables various numbers of positions to be combined
- ✓ Two solder pins reduce the mechanical strain on the soldering spots



### Key Commercial Data

Packing unit	250 STK
Minimum order quantity	250 STK
GTIN	 4 017918 144746
GTIN	4017918144746
Custom tariff number	8536909000
Sales Key	AAABFA

### Technical data

#### Dimensions

Length	17 mm
Pitch	5.08 mm
Constructional height	16 mm
Length of the solder pin	3.5 mm
Pin dimensions	0,7 x 1 mm
Hole diameter	1.3 mm

https://www.phoenixcontact.com/cn/products/1706714



## PCB terminal block - ZFKDS 1,5-W-5,08 - 1706714

### Technical data

#### General

Range of articles	ZFKDS(A) 1,5-W
Insulating material group	I
Rated surge voltage (III/3)	4 kV
Rated surge voltage (III/2)	4 kV
Rated surge voltage (II/2)	4 kV
Rated voltage (III/3)	250 V
Rated voltage (III/2)	400 V
Rated voltage (II/2)	630 V
Connection in acc. with standard	EN-VDE
Nominal current $I_N$	16 A
Nominal cross section	1.5 mm <sup>2</sup>
Maximum load current	16 A (with a 2.5 mm <sup>2</sup> conductor cross section)
Insulating material	PA
Solder pin surface	Sn
Flammability rating according to UL 94	V0
Stripping length	7.5 mm
Number of positions	1

#### Connection data

Conductor cross section solid min.	0.2 mm <sup>2</sup>
Conductor cross section solid max.	2.5 mm <sup>2</sup>
Conductor cross section flexible min.	0.2 mm <sup>2</sup>
Conductor cross section flexible max.	1.5 mm <sup>2</sup>
Conductor cross section flexible, with ferrule without plastic sleeve min.	0.25 mm <sup>2</sup>
Conductor cross section flexible, with ferrule without plastic sleeve max.	1.5 mm <sup>2</sup>
Conductor cross section flexible, with ferrule with plastic sleeve min.	0.25 mm <sup>2</sup>
Conductor cross section flexible, with ferrule with plastic sleeve max.	1.5 mm <sup>2</sup>
Conductor cross section AWG min.	24
Conductor cross section AWG max.	14

#### Standards and Regulations

Connection in acc. with standard	EN-VDE
	CSA
Flammability rating according to UL 94	V0

#### Environmental Product Compliance

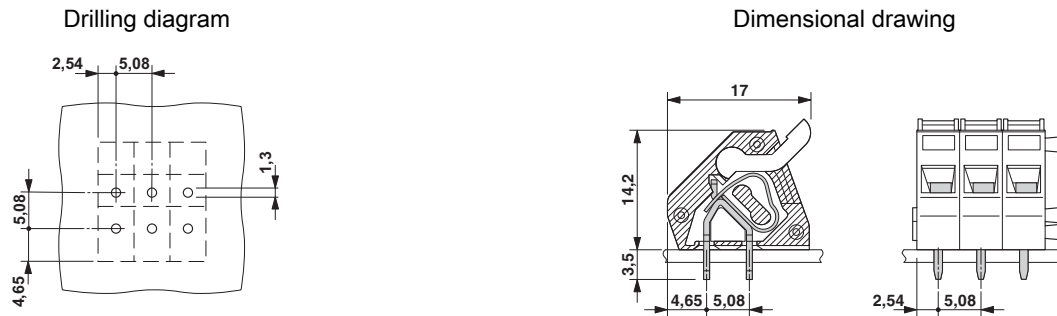
China RoHS	Environmentally friendly use period: unlimited = EFUP-e
	No hazardous substances above threshold values

### Drawings

https://www.phoenixcontact.com/cn/products/1706714



# PCB terminal block - ZFKDS 1,5-W-5,08 - 1706714



## Approvals

### Approvals

#### Approvals

CSA / KEMA-KEUR / CCA / IECCEB Scheme / EAC

#### Ex Approvals

### Approval details

CSA		<a href="http://www.csagroup.org/services/testing-and-certification/certified-product-listing/">http://www.csagroup.org/services/testing-and-certification/certified-product-listing/</a>	13631
	B	D	
mm <sup>2</sup> /AWG/kcmil	28-12	28-12	
Nominal current I <sub>N</sub>	10 A	10 A	
Nominal voltage U <sub>N</sub>	300 V	300 V	

KEMA-KEUR		<a href="http://www.dekra-certification.com">http://www.dekra-certification.com</a>	2160724.01
mm <sup>2</sup> /AWG/kcmil	1.5		
Nominal voltage U <sub>N</sub>	250 V		

CCA	NTR NL-7074		
mm <sup>2</sup> /AWG/kcmil	1.5		
Nominal voltage U <sub>N</sub>	250 V		

<https://www.phoenixcontact.com/cn/products/1706714>



## PCB terminal block - ZFKDS 1,5-W-5,08 - 1706714

### Approvals

IECEE CB Scheme	<b>CB</b> scheme	<a href="http://www.iecee.org/">http://www.iecee.org/</a>	NL-25836
mm <sup>2</sup> /AWG/kcmil		1.5	
Nominal voltage UN		250 V	

EAC	<b>EAC</b>	B.01742	
-----	------------	---------	--

Phoenix Contact 2017 © - all rights reserved  
<http://www.phoenixcontact.com>