

<https://www.phoenixcontact.com/cn/products/1790647>




## Coding profile - CP-DMC 1,5 NAT - 1790647

Please be informed that the data shown in this PDF Document is generated from our Online Catalog. Please find the complete data in the user's documentation. Our General Terms of Use for Downloads are valid (<http://phoenixcontact.com/download>)

Coding profile, for insertion between the coding ribs of the connector and the header following the reflow soldering process, insulating material, color: natural



### Key Commercial Data

Packing unit	60 STK
Minimum order quantity	60 STK
GTIN	 4 046356 622318
GTIN	4046356622318
Sales Key	AAAZAA

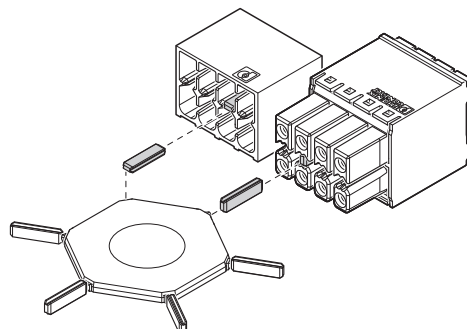
### Technical data

#### Environmental Product Compliance

China RoHS	Environmentally friendly use period: unlimited = EFUP-e
	No hazardous substances above threshold values

### Drawings

Schematic diagram



<https://www.phoenixcontact.com/cn/products/1790647>



Phoenix Contact 2016 © - all rights reserved  
<http://www.phoenixcontact.com>