

https://www.phoenixcontact.com/cn/products/1872583



Base strip - A-MSTBV 2,5/ 2-GF-5,08 - 1872583

Please be informed that the data shown in this PDF Document is generated from our Online Catalog. Please find the complete data in the user's documentation. Our General Terms of Use for Downloads are valid (<http://phoenixcontact.com/download>)



Header, Nominal current: 12 A, Rated voltage (III/2): 320 V, Number of positions: 2, Pitch: 5.08 mm, Color: green, Contact surface: Tin, Mounting: DIN rail


The illustration shows a 12-position version

Why buy this product

- ✓ Maximum flexibility when it comes to device design – one header for connectors with different connection technologies



Key Commercial Data

Packing unit	50 STK
GTIN	 4 017918 142070
GTIN	4017918142070
Custom tariff number	8536909000
Sales Key	AAAFLA

Technical data

General

Color	green
Flammability rating according to UL 94	V0

Standards and Regulations

Connection in acc. with standard	CUL
Flammability rating according to UL 94	V0

Environmental Product Compliance

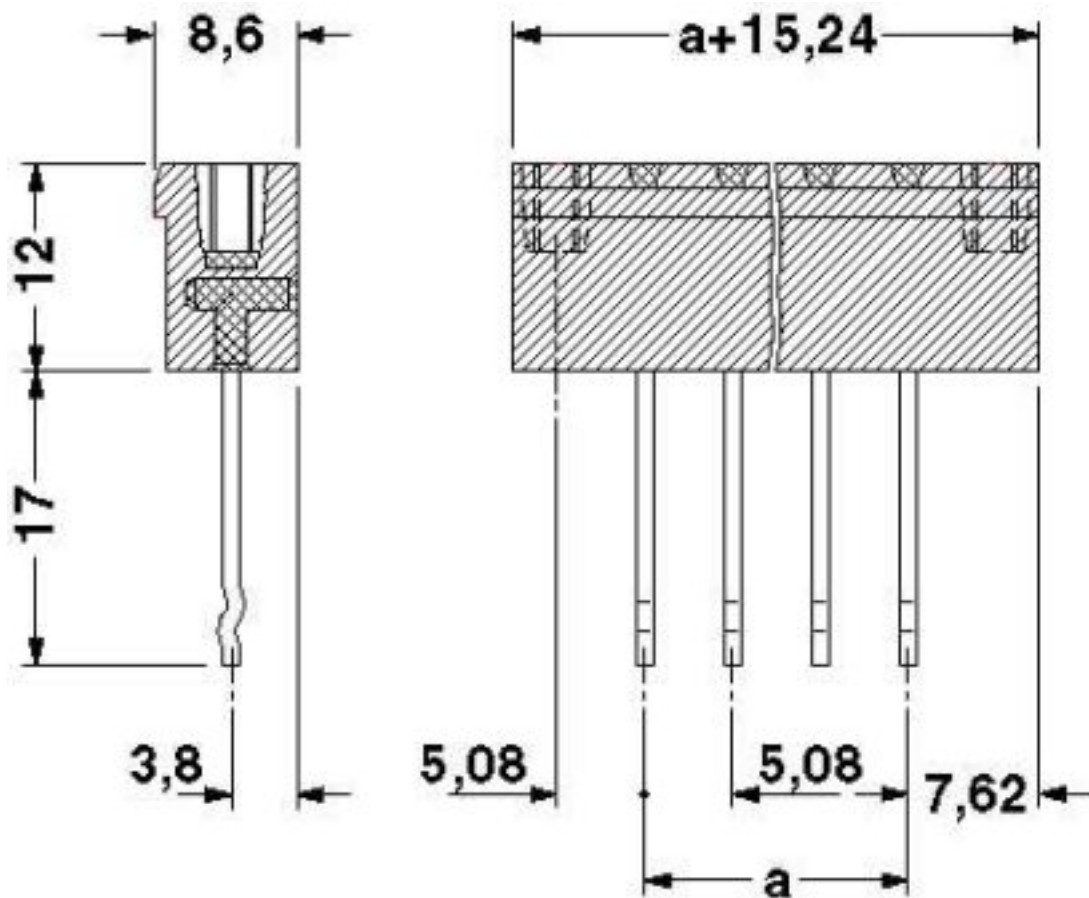
China RoHS	Environmentally Friendly Use Period = 50
	For details about hazardous substances go to tab "Downloads", Category "Manufacturer's declaration"

Drawings



Base strip - A-MSTBV 2,5/ 2-GF-5,08 - 1872583

Dimensional drawing



Approvals

Approvals

Approvals

cULus Recognized / EAC

Ex Approvals

Approval details

cULus Recognized		http://database.ul.com/cgi-bin/XYV/template/LISEXT/1FRAME/index.htm	E60425-19931011
	B	D	
Nominal current I _N	12 A	10 A	

<https://www.phoenixcontact.com/cn/products/1872583>



Base strip - A-MSTBV 2,5/ 2-GF-5,08 - 1872583

Approvals

	B	D
Nominal voltage UN	300 V	300 V

EAC		B.01742
-----	--	---------

Phoenix Contact 2017 © - all rights reserved
<http://www.phoenixcontact.com>