

<https://www.phoenixcontact.com/cn/products/1907911>



## FO PCB terminal block - FOPT 2,2-T - 1907911

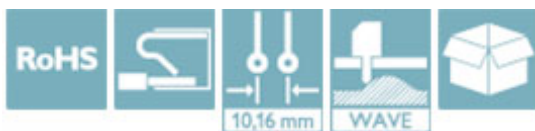
Please be informed that the data shown in this PDF Document is generated from our Online Catalog. Please find the complete data in the user's documentation. Our General Terms of Use for Downloads are valid (<http://phoenixcontact.com/download>)




PCB terminal block, Pitch: 10.16 mm, Number of positions: 1, Connection method: Push-in spring connection, Mounting: Wave soldering, Conductor/PCB connection direction: 0 °, Color: green, Green housing with transmit diode/fiber optics that can be connected: polymer fiber (according to IEC 60793-2 type A4a, diameter of outer sheath: 2.2 mm)/data rate: 5 Mbps/transmission distance: max. 50 m/detailed data sheet in download area

### Why buy this product

- Connection of fiber optics without fiber pretreatment
- Time saving push-in connection, tools not required
- Defined contact force ensures that contact remains stable over the long term
- Intuitive use through colour coded actuation lever



### Key Commercial Data

Packing unit	10 STK
Minimum order quantity	10 STK
GTIN	 4 017918 606237
GTIN	4017918606237
Custom tariff number	8536909000
Sales Key	AACEAA

### Technical data

#### Dimensions

Pitch	10.16 mm
Constructional height	11 mm

#### General

Range of articles	FOPT
Connection in acc. with standard	EN-VDE
Nominal cross section	0 mm <sup>2</sup>
Solder pin surface	Sn
Flammability rating according to UL 94	HB
Number of positions	1



# FO PCB terminal block - FOPT 2,2-T - 1907911

## Technical data

### Standards and Regulations

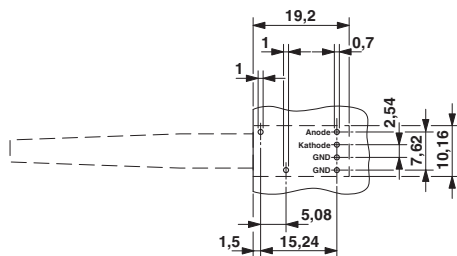
Connection in acc. with standard	EN-VDE
Flammability rating according to UL 94	HB

### Environmental Product Compliance

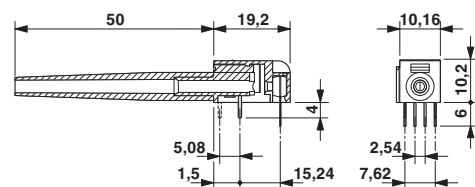
China RoHS	Environmentally friendly use period: unlimited = EFUP-e
	No hazardous substances above threshold values

## Drawings

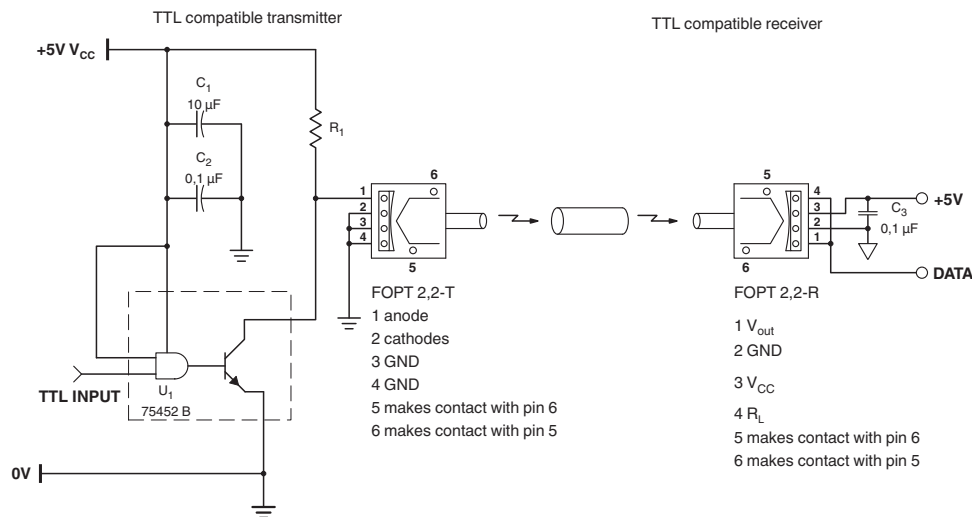
Drilling diagram



Dimensional drawing



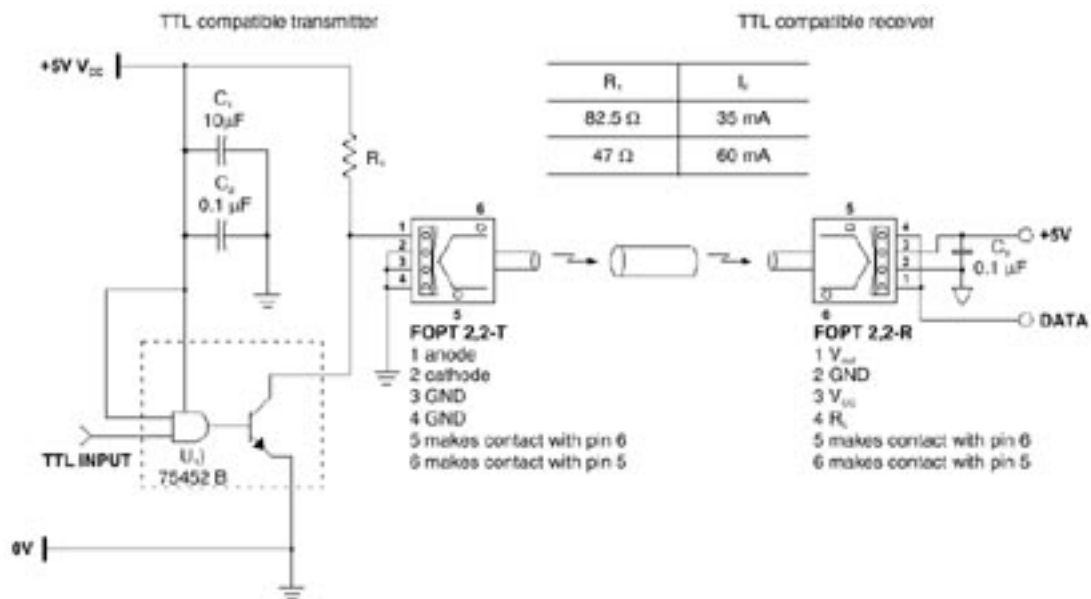
Circuit diagram





# FO PCB terminal block - FOPT 2,2-T - 1907911

Block diagram



## Approvals

Approvals

Approvals

EAC

Ex Approvals

## Approval details

EAC		B.01742
-----	--	---------