

https://www.phoenixcontact.com/cn/products/1913646



## Base strip - PC 6-16/ 2-G-10,16 - 1913646

Please be informed that the data shown in this PDF Document is generated from our Online Catalog. Please find the complete data in the user's documentation. Our General Terms of Use for Downloads are valid (<http://phoenixcontact.com/download>)



Header, Nominal current: 76 A, Rated voltage (III/2): 1000 V, Number of positions: 2, Pitch: 10.16 mm, Color: green, Contact surface: Silver, Mounting: Wave soldering, The nominal current of 76 A applies in connection with connectors from the PC 16 family. 41 A are reached in connection with PC 6 connectors (50 A in accordance with UL).


The illustration shows an 8-position version

### Why buy this product

- Well-known mounting principle allows worldwide use
- Maximum flexibility when it comes to device design – one header for connectors with different connection technologies



### Key Commercial Data

Packing unit	50 STK
Minimum order quantity	50 STK
GTIN	 4 017918 179120
GTIN	4017918179120
Custom tariff number	8536909000
Sales Key	AABEBA

### Technical data

#### Dimensions

Length	32 mm
Pitch	10.16 mm
Dimension a	10.16 mm
Constructional height	14 mm
Height	13.7 mm
Length of the solder pin	5 mm
Pin dimensions	0.8 x 1.2 mm
Pin spacing	10.16 mm
Hole diameter	1.7 mm

https://www.phoenixcontact.com/cn/products/1913646



## Base strip - PC 6-16/ 2-G-10,16 - 1913646

### Technical data

#### General

Range of articles	PC 6-16/..-G
Insulating material group	I
Rated surge voltage (III/3)	6 kV
Rated surge voltage (III/2)	8 kV
Rated surge voltage (II/2)	8 kV
Rated voltage (III/3)	630 V
Rated voltage (III/2)	1000 V
Rated voltage (II/2)	1000 V
Connection in acc. with standard	EN-VDE
Nominal current $I_N$	76 A (41 A in combination with PC 6 plug)
Maximum load current	76 A
Insulating material	PA
Color	green
Number of positions	2

#### General information

Note	In accordance with IEC 61984, COMBICON connectors have no switching power (COC). During designated use, they must not be plugged in or disconnected when carrying voltage or under load.
------	--

#### Standards and Regulations

Connection in acc. with standard	EN-VDE
	CUL

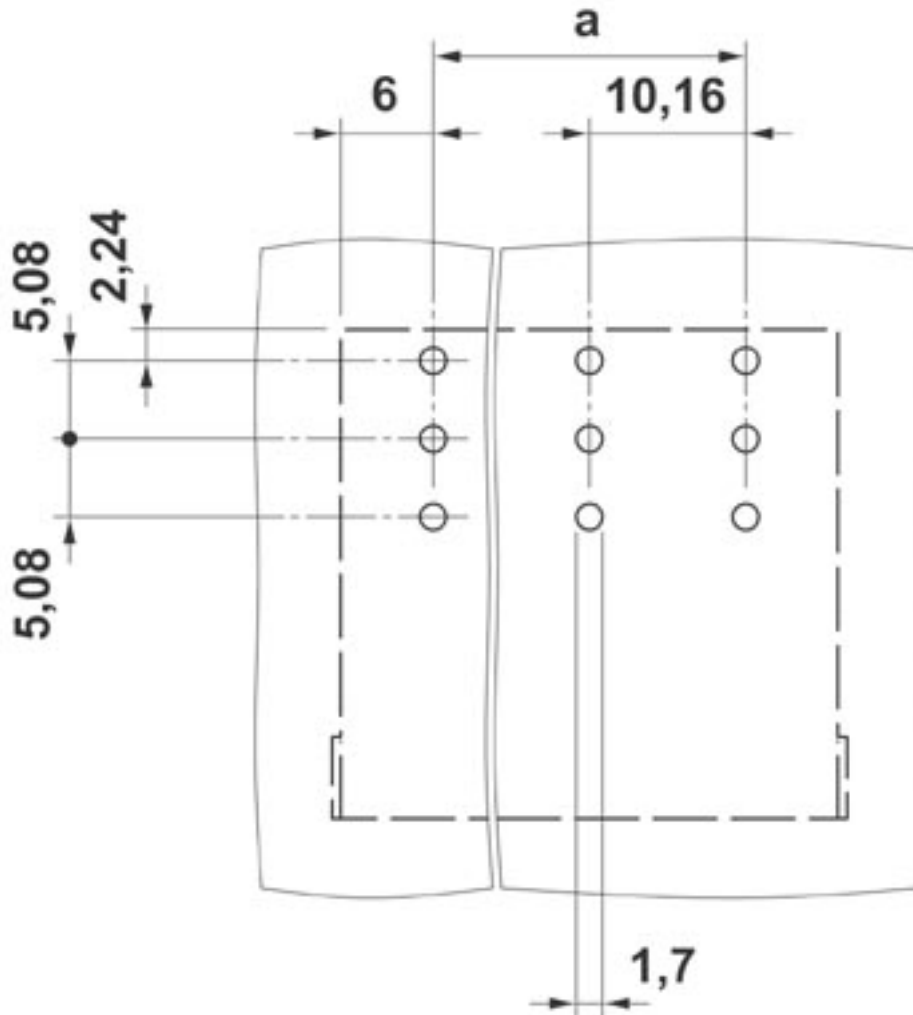
#### Environmental Product Compliance

China RoHS	Environmentally friendly use period: unlimited = EFUP-e
	No hazardous substances above threshold values

### Drawings

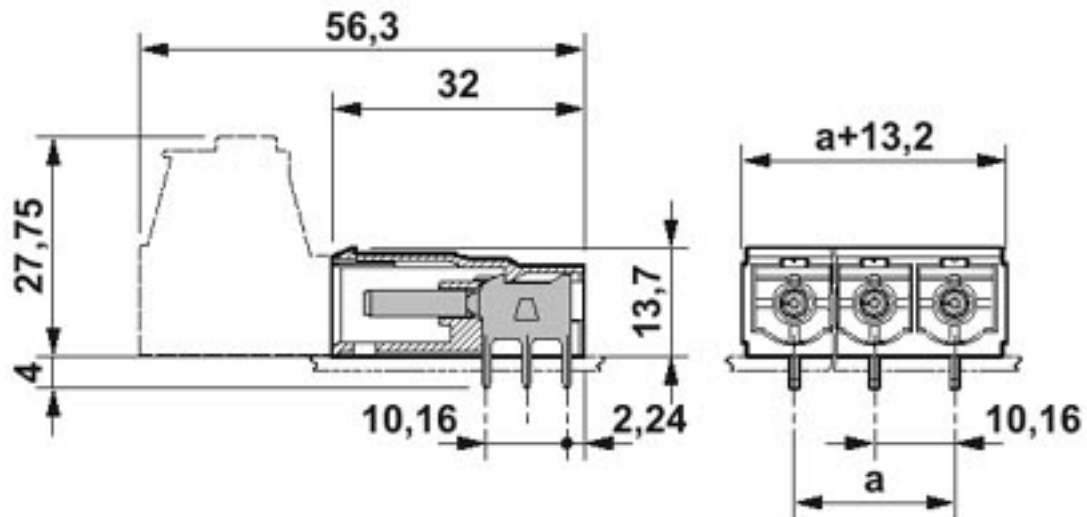
# Base strip - PC 6-16/ 2-G-10,16 - 1913646

Drilling diagram



## Base strip - PC 6-16/ 2-G-10,16 - 1913646

Dimensional drawing



### Approvals

#### Approvals

#### Approvals

UL Recognized / SEV / cUL Recognized / IECCE CB Scheme / EAC / cULus Recognized

#### Ex Approvals

### Approval details

UL Recognized		<a href="http://database.ul.com/cgi-bin/XYV/template/LISEXT/1FRAME/index.htm">http://database.ul.com/cgi-bin/XYV/template/LISEXT/1FRAME/index.htm</a>	FILE E 60425
	B	C	D
Nominal current I <sub>N</sub>	66 A	66 A	5 A
Nominal voltage U <sub>N</sub>	300 V	300 V	600 V


SEV		<a href="https://www.electrosuisse.ch/en/meta/shop/product-certificates.html">https://www.electrosuisse.ch/en/meta/shop/product-certificates.html</a>	IK-3431
Nominal current I <sub>N</sub>		76 A	
Nominal voltage U <sub>N</sub>		1000 V	


<https://www.phoenixcontact.com/cn/products/1913646>



## Base strip - PC 6-16/ 2-G-10,16 - 1913646

### Approvals

cUL Recognized		<a href="http://database.ul.com/cgi-bin/XYV/template/LISEXT/1FRAME/index.htm">http://database.ul.com/cgi-bin/XYV/template/LISEXT/1FRAME/index.htm</a>	FILE E 60425
	B	C	D
Nominal current IN	66 A	66 A	5 A
Nominal voltage UN	300 V	300 V	600 V

IECEE CB Scheme		<a href="http://www.iecee.org/">http://www.iecee.org/</a>	CH-8077
Nominal current IN	76 A		
Nominal voltage UN	1000 V		

EAC		B.01742
-----	--	---------

cULus Recognized		<a href="http://database.ul.com/cgi-bin/XYV/template/LISEXT/1FRAME/index.htm">http://database.ul.com/cgi-bin/XYV/template/LISEXT/1FRAME/index.htm</a>
------------------	---	---

Phoenix Contact 2017 © - all rights reserved  
<http://www.phoenixcontact.com>