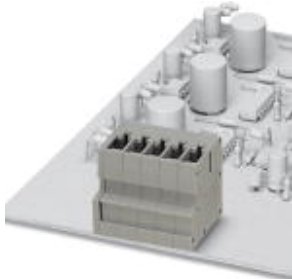


https://www.phoenixcontact.com/cn/products/1980705



Base strip - ST 4-PCBV/ 2-G-6,2 - 1980705

Please be informed that the data shown in this PDF Document is generated from our Online Catalog. Please find the complete data in the user's documentation. Our General Terms of Use for Downloads are valid (<http://phoenixcontact.com/download>)



ST-COMBI receptacle, plug-in direction vertical to the PCB, pitch: 6.2 mm, no. of positions: 2


The illustration shows the 5-pos. version

Why buy this product

- The pitch width of this base strip is matched to that of the COMBI plug
- Universal plug-in solutions from the DIN rail through to the device can be implemented with the same plug

RoHS

Key Commercial Data

Packing unit	50 STK
Minimum order quantity	50 STK
GTIN	 4 017918 972370
GTIN	4017918972370
Custom tariff number	8536909000
Sales Key	AABBBA

Technical data

Dimensions

Length	26 mm
Pitch	6.2 mm
Width	12.4 mm
Height	25.1 mm
Pin dimensions	1,2 x 1,3
Hole diameter	2 mm

General

Insulating material group	I
Maximum load current	32 A (with 6 mm ² conductor cross section)

https://www.phoenixcontact.com/cn/products/1980705



Base strip - ST 4-PCBV/ 2-G-6,2 - 1980705

Technical data

General

Insulating material	PA
Flammability rating according to UL 94	V0
Internal cylindrical gage	A4
Number of positions	2

Standards and Regulations

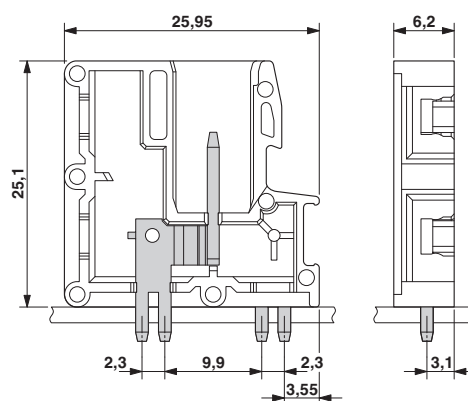
Connection in acc. with standard	CUL
Flammability rating according to UL 94	V0

Environmental Product Compliance

China RoHS	Environmentally friendly use period: unlimited = EFUP-e
	No hazardous substances above threshold values

Drawings

Dimensional drawing



Approvals

Approvals

Approvals

UL Recognized / cUL Recognized / EAC / cULus Recognized

Ex Approvals


Approval details


<https://www.phoenixcontact.com/cn/products/1980705>



Base strip - ST 4-PCBV/ 2-G-6,2 - 1980705

Approvals

UL Recognized		http://database.ul.com/cgi-bin/XYV/template/LISEXT/1FRAME/index.htm	FILE E 60425
		B	C
Nominal current IN		20 A	20 A
Nominal voltage UN		600 V	600 V

cUL Recognized		http://database.ul.com/cgi-bin/XYV/template/LISEXT/1FRAME/index.htm	FILE E 60425
		B	C
Nominal current IN		20 A	20 A
Nominal voltage UN		600 V	600 V

EAC		B.01742
-----	--	---------

cULus Recognized		http://database.ul.com/cgi-bin/XYV/template/LISEXT/1FRAME/index.htm
------------------	---	---