

https://www.phoenixcontact.com/cn/products/3190551



Accessories - MSTBC-MT 1,5-2,5 - 3190551


Please be informed that the data shown in this PDF Document is generated from our Online Catalog. Please find the complete data in the user's documentation. Our General Terms of Use for Downloads are valid (<http://phoenixcontact.com/download>)



Module female contact, is inserted into the plug housing MSTBC after crimping the conductor, for conductors from 1.5 to 2.5 mm²

RoHS

Key Commercial Data

Packing unit	100 STK
Minimum order quantity	100 STK
GTIN	 4 017918 093389
GTIN	4017918093389
Custom tariff number	8538900000
Sales Key	AAAFAD

Technical data

General

Nominal current	12 A
Conductor cross section flexible min.	1.5 mm ²
Max. conductor cross section, flexible	2.5 mm ²

Connection data

Core diameter including insulation	2.11 mm ... 3.1 mm
Stripping length of individual wires	4 mm

Material data

Contact material	CuFe
Contact surface material	Tin-plated

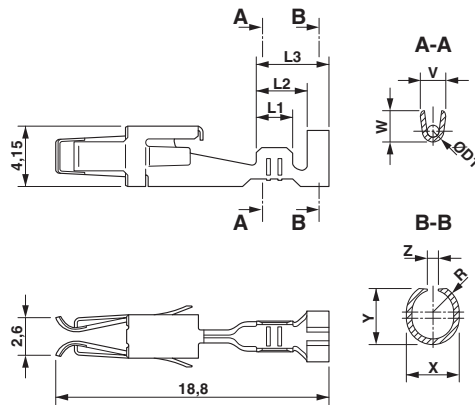
Environmental Product Compliance

China RoHS	Environmentally friendly use period: unlimited = EFUP-e
	No hazardous substances above threshold values

Accessories - MSTBC-MT 1,5-2,5 - 3190551

Drawings

Dimensional drawing



Phoenix Contact 2016 © - all rights reserved
<http://www.phoenixcontact.com>