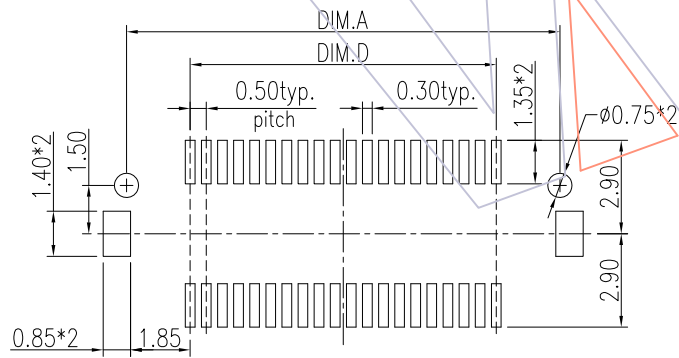
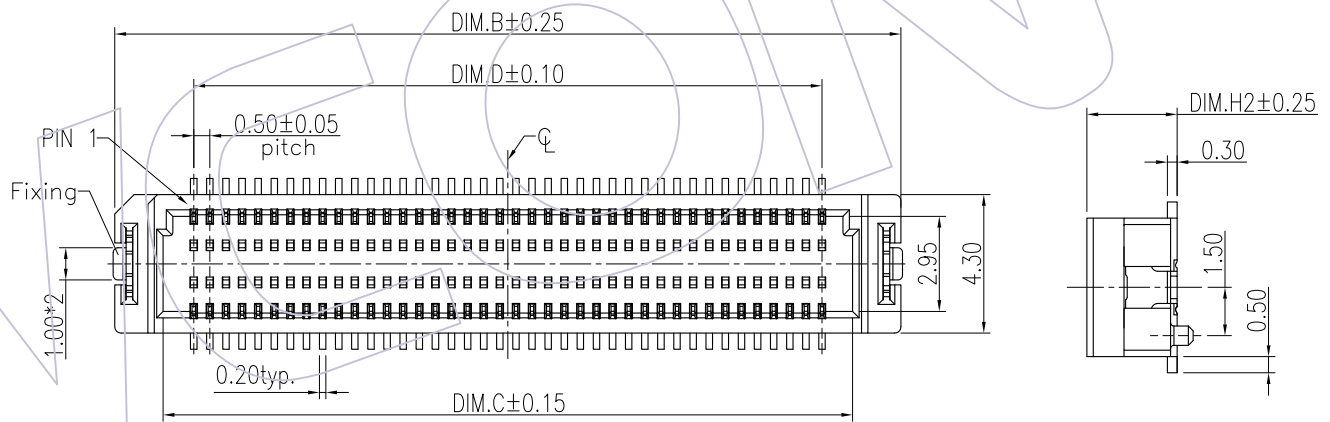
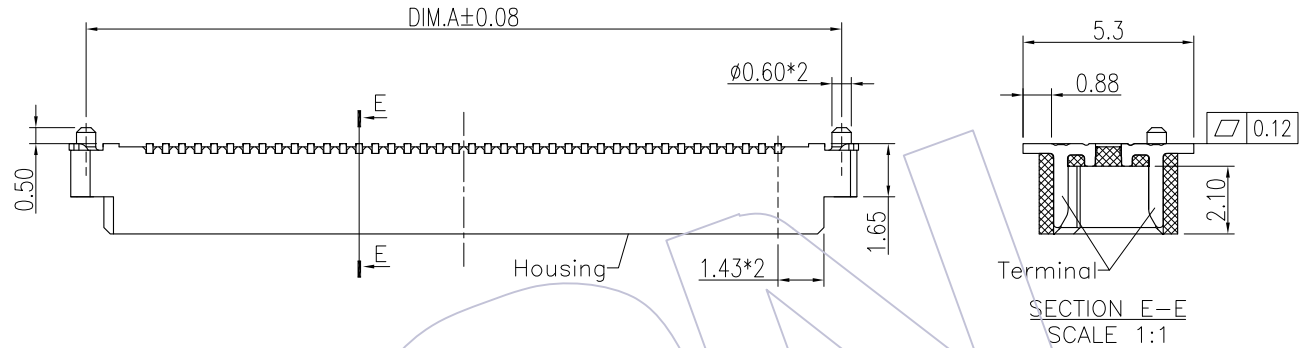


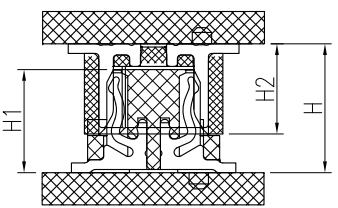
# HSF

NOTES:  
 Current Rating:0.5AMP  
 Contact Resistance:35mΩ max  
 Withstand Voltage:500V AC for 1minute  
 Insulation Resistance:500MΩ min  
 Operation Temperature:-30°C to +105°C  
 Housing Material:PA9T(UL94V-O),Black  
 Contact Material:Copper alloy  
 Fixing Material:Copper alloy  
 Contact plating:Au over Ni  
 Fixing plating:Sn over Ni

24.50	26.40	29.40	28.45	100
19.50	21.40	24.40	23.45	80
17.00	18.90	21.90	20.95	70
14.50	16.40	19.40	18.45	60
12.00	13.90	16.90	15.95	50
4.50	6.40	9.40	8.45	20
3.50	5.40	8.40	7.45	16
DIM.D	DIM.C	DIM.B	DIM.A	PIN NO.



RECOMMENDED P.C.BOARD LAYOUT



MATED DRAWING(REF.)

ASS'Y HEIGHT(H)	PLUG(H1)	SOCKET(H2)
4.00	3.20	2.80
4.50		3.30
5.50		4.30
6.00	4.20	4.80
5.00		2.80
6.50		4.30
7.00		4.80

PART NO.	DIM.H2
3621-SXXX-02BGXR01	2.80
3621-SXXX-033GXR01	3.30
3621-SXXX-043GXR01	4.30
3621-SXXX-048GXR01	4.80

REV	DATE	MODIFICATION DESCRIPTION	CHANGE	OPERATION	DRAW	DATE	SCALE	1:1	PART NO.
A0	2013.02.25	NEW		X.X ±0.40	Peng	2013.02.25	UNIT	mm	3621-SXXX-XXXGXR01
				X.XX ±0.25	CHECK	DATE	SIZE	A4	TITLE:
				X.XXX ±0.15	APPROVE	DATE	SHEET	1/1	0.50pitch 180° FEMALE BTB SMT TYPE(with Fixing)
				Angle ± 3'			PROJ.	Customer NO.	
				DIM TOL					