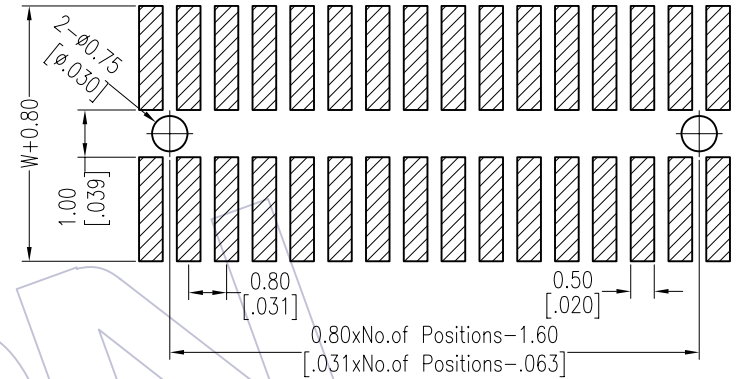
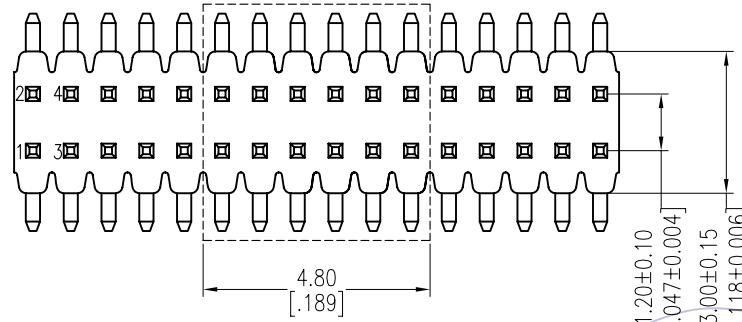


HSF

NOTES:
 Rated Current:0.75AMP
 Contact Resistance:30mΩ max
 Withstand Voltage:500V AC/DC
 Insulation Resistance:1000MΩ min
 Operation Temperature:-40°C to +105°C

Contact Material:Brass
 Contact Plating:Au Over Ni
 Insulator Material:LCP+30%G.F UL94V-0 BK

Recommended P.C.B Layout (Top Side)
 (PCB BOARD TOLERANCE±0.05)

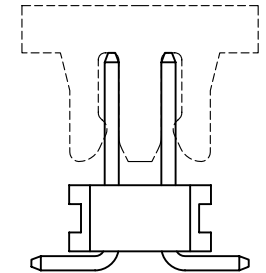
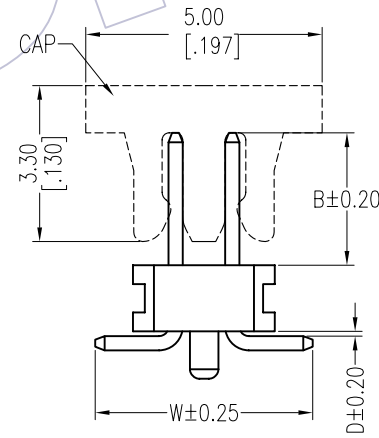
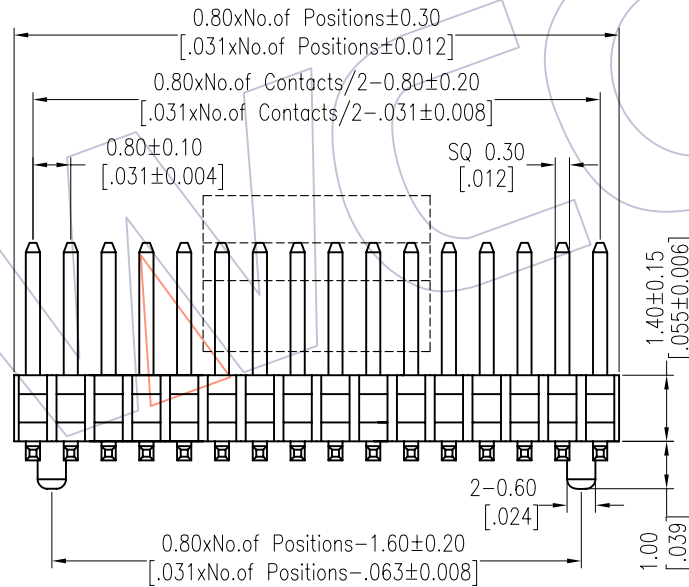


Ordering Information

1614-12 XX XX M 060 X X

No. of Pins Per Row: 01-50
 Contact Plating: G0=Gold Flash, G3=10u"Gold, G4=15u"Gold, G5=30u"Gold
 Pin Length: L=B+D+1.4+ $\frac{W}{2}$ ±0.2, Standard:060=6.0
 Series No.: 1=Type 1, 2=Type 2,

Packing:
 A=Tray
 T=Tube
 P=Tube+CAP
 R=Tape&Reel+CAP



TYPE 2 WITH POST

TYPE 1 W/O POST

Item	Pin Length	W	D	B
Standard	6.00	4.60	0.10	2.80
Alternate				

REV	DATE	MODIFICATION DESCRIPTION	CHANGE	OPERATION	DRAW	DATE	SCALE	Fit	PART NO.
				x.X ±0.40	William Chen	2012.02.28	UNIT	mm	1614-12XXXXMXXXXX
				x.XX ±0.25	CHECK	DATE	SIZE	A4	TITLE:
				x.XXX ±0.15	APPROVE	DATE	SHEET	1/1	PH0.80*1.20 DUAL ROW SMT H=1.4
AO	2012/02/28	NEW	-----	Angle ± 3'			PROJ.	☯	Customer NO.
				DIM TOL					