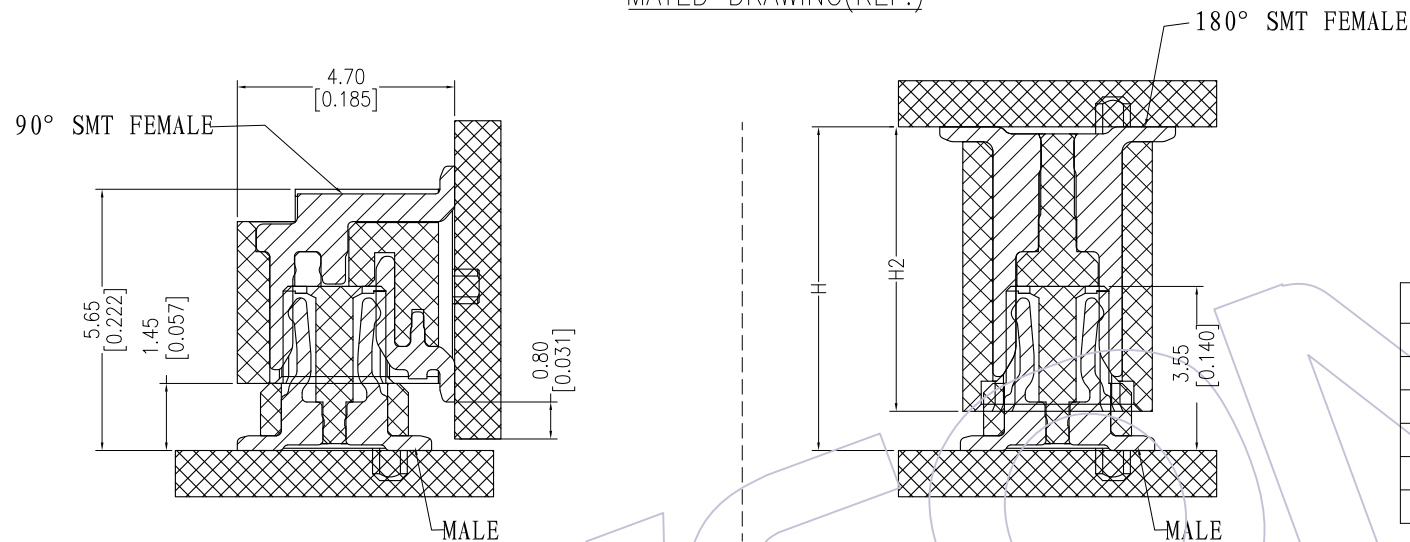


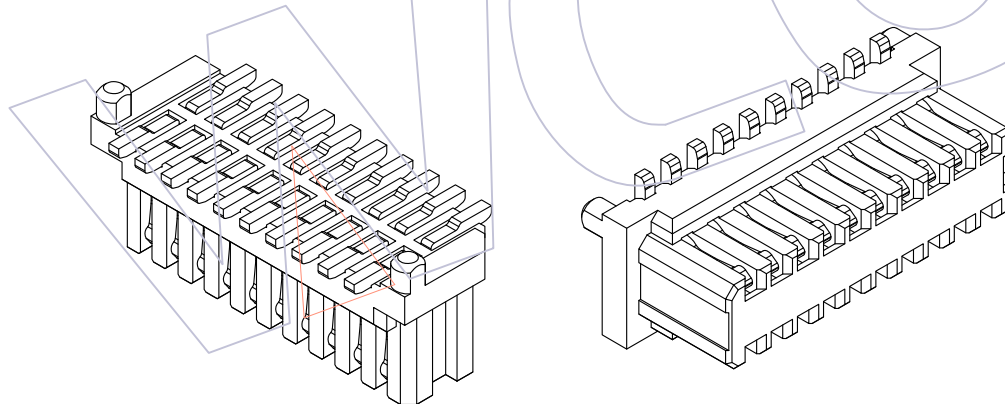
HSF

MATED DRAWING(REF.)



ASS'Y HEIGHT(H)	FEMALE(H2)	MALE(H1)
4.50	3.65	3.55
5.00	4.15	
5.65	4.70	
6.00	5.15	
6.50	5.65	
7.00	6.15	

17.00	17.60	16.85	15.20	40
16.20	16.80	16.05	14.40	38
15.40	16.00	15.25	13.60	36
14.60	15.20	14.45	12.80	34
13.80	14.40	13.65	12.00	32
13.00	13.60	12.85	11.20	30
12.20	12.80	12.05	10.40	28
11.40	12.00	11.25	9.60	26
10.60	11.20	10.45	8.80	24
9.80	10.40	9.65	8.00	22
9.00	9.60	8.85	7.20	20
8.20	8.80	8.05	6.40	18
7.40	8.00	7.25	5.60	16
6.60	7.20	6.45	4.80	14
5.80	6.40	5.65	4.00	12
5.00	5.60	4.85	3.20	10
DIM.D	DIM.C	DIM.B	DIM.A	PIN NO.



REV	DATE	MODIFICATION DESCRIPTION	CHANGE	OPERATION	DRAW	DATE	SCALE	FIT	PART NO.
				X.X ±0.40	Tsingsn	2013/05/02	UNIT	mm	3612-PXXX-035XXR01 Δ
A1	2013/05/02	Modify The PART NO. 3612-PXXX-008XXR01 To 3612-PXXX-035XXR01	Δ	X.XX ±0.25	CHECK	DATE	inch	TITLE:	
A0	2013/03/22	NEW	—	X.XXX ±0.15	APPROVE	DATE	SIZE	A4	0.80mm B TO B
				Angle ± 3'			SHEET	2/2	"M" MALE 180° SMT TYPE
				DIM TOL			PROJ.	Φ \leftarrow	Customer NO.