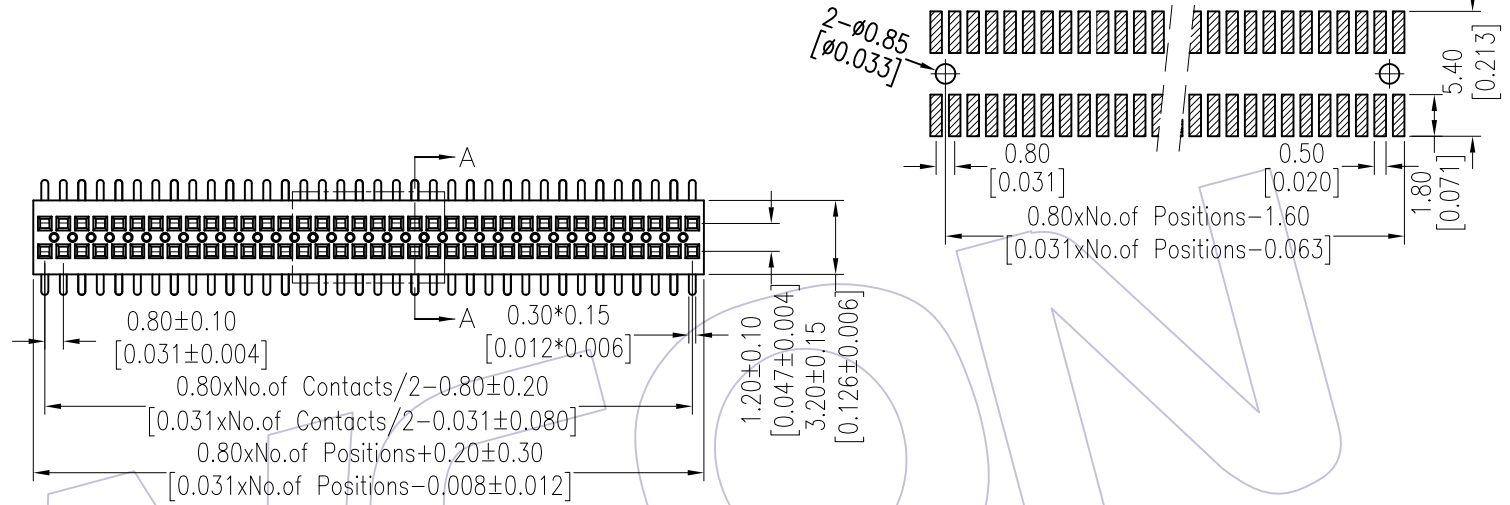


HSF

NOTES:
 Current Rating: 0.75AMP
 Contact Resistance: 20mΩ Max
 Withstand Voltage: 500V AC/DC
 Insulation Resistance: 1000MΩ Min
 Operation Temperature: -40°C to +105°C

Contact Material: Phosphor Bronze
 Contact plating: Au over Ni
 Insulator Material: PA9T Or LCP+30%GF UL94V-0

Recommended P.C.B Layout (Top Side)
 (PCB BOARD TOLERANCE ±0.05)



Ordering Information

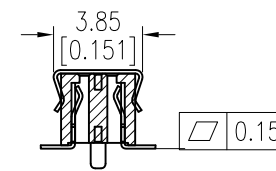
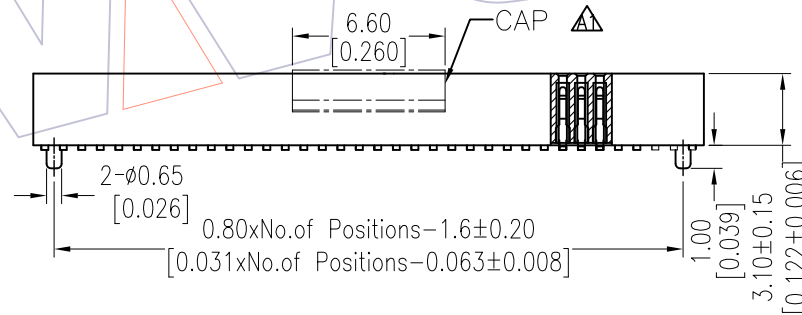
2631-2 XX M XX CTN X X

No. of Pins per Row: 02-50Pin

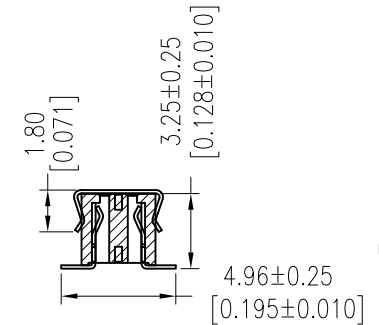
Contact Plating:
 G0=Gold Flash
 G3=10u"Gold
 G4=15u"Gold
 G5=30u"Gold

Packing:
 T=Tube
 P=Tube+CAP
 R=Tape&Reel+CAP

Series No.
 1=Type 1
 2=Type 2



TYPE 2 WITH POST



TYPE 1 WITHOUT POST

SECTION: A-A

Item	Pitch	Mating
Standard	1.27	1614
Alternate		

REV	DATE	MODIFICATION DESCRIPTION	CHANGE	OPERATION	DRAW	DATE	SCALE	FIT	PART NO.
				x.x ±0.40	Wang	2014/12/30	UNIT	mm	2631-2XXMXXCTNXX
A1	2014/12/30	Modify CAP	-----	x.xx ±0.25	CHECK	DATE	SIZE	A4	TITLE: FH0.80 DUAL ROW SMT H=3.10
AO	2012/07/05	NEW	-----	x.xxx ±0.15	APPROVE	DATE	SHEET	1/1	Customer NO.
				Angle ± 3'			PROJ.		
				DIM TOL					