

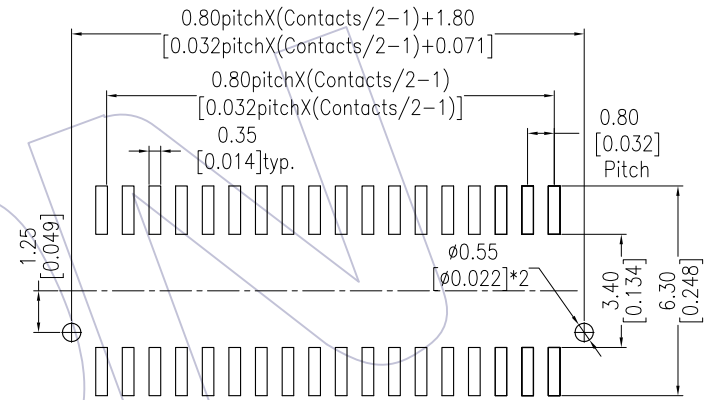
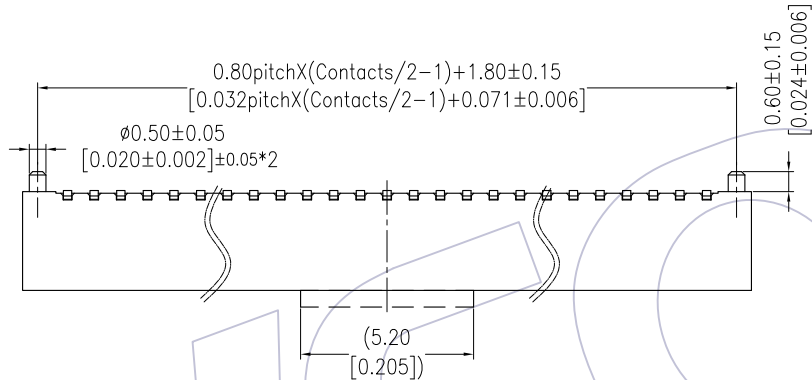
HSF

Recommended P.C.B Layout (Top Side)
(PCB BOARD TOLERANCE ± 0.05)

NOTES:

Current Rating:0.5A
Voltage Rating:50V AC/DC
Contact Resistance:50milliohm Max
Insulation Resistance:100Megohm Min
Operation Temperature:-20°Cto+105°C

Housing Material:PA9T(UL94V-0)
Cap Material:LCP(UL94V-0)
Contact Material:Phosphor Bronze
Contact plating:Au or Sn over Ni

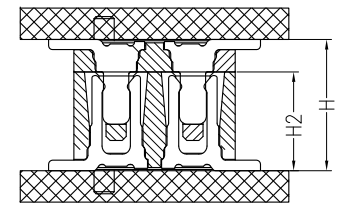
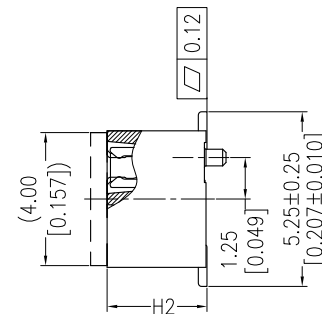
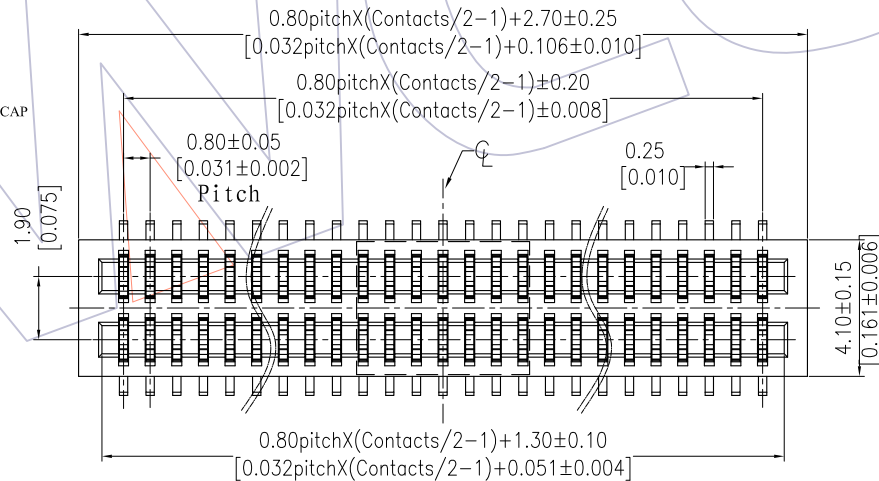


Ordering Information

3610-S XXX - XXX XX R 01

No.of Pins Housing High Contact Plating
G1=3u"Gold
G2=5u"Gold
S1=3u"Gold/Tin
S2=5u"Gold/Tin
T=Tube
P=Tube+CAP
R=Tape&Reel+CAP

ASS'Y HIGH(H)	PLUG(H1)	SOCKET(H2)
4.00	1.00	3.00
4.50	1.50	3.00
5.00	2.00	3.00
5.50	1.50	4.00
6.00	2.00	4.00
6.50	2.00	4.50
7.00	3.00	4.00
7.50	3.00	4.50
8.00	4.00	4.00



Assembly

REV	DATE	MODIFICATION DESCRIPTION	CHANGE	OPERATION		DRAW Tsingsn	DATE 2012/11/02	SCALE	FIT mm inch	PART NO. 3610-SXXX-XXXXXR01
				X.X	±0.40					
				X.XX	±0.25	CHECK	DATE	UNIT		TITLE: 0.80mm B TO B FEMALE 180° SMT TYPE
				X.XXX	±0.15	APPROVE	DATE	SIZE	A4	Customer NO.
				Angle	± 3'			SHEET	1/1	
				DIM	TOL	PROJ.				