

HSF

NOTES:
 Current Rating:0.5AMP
 Contact Resistance:30mΩ max
 Withstand Voltage:100V AC/DC
 Insulation Resistance:500MΩ min
 Operation Temperature:-40°C to +125°C

Contact Material:Phosphor Bronze
 Cap Material:SUS,t=0.25mm
 Housing Material:LCP(UL94V-0),Nature
 Contact plating:Au and Tin over Ni

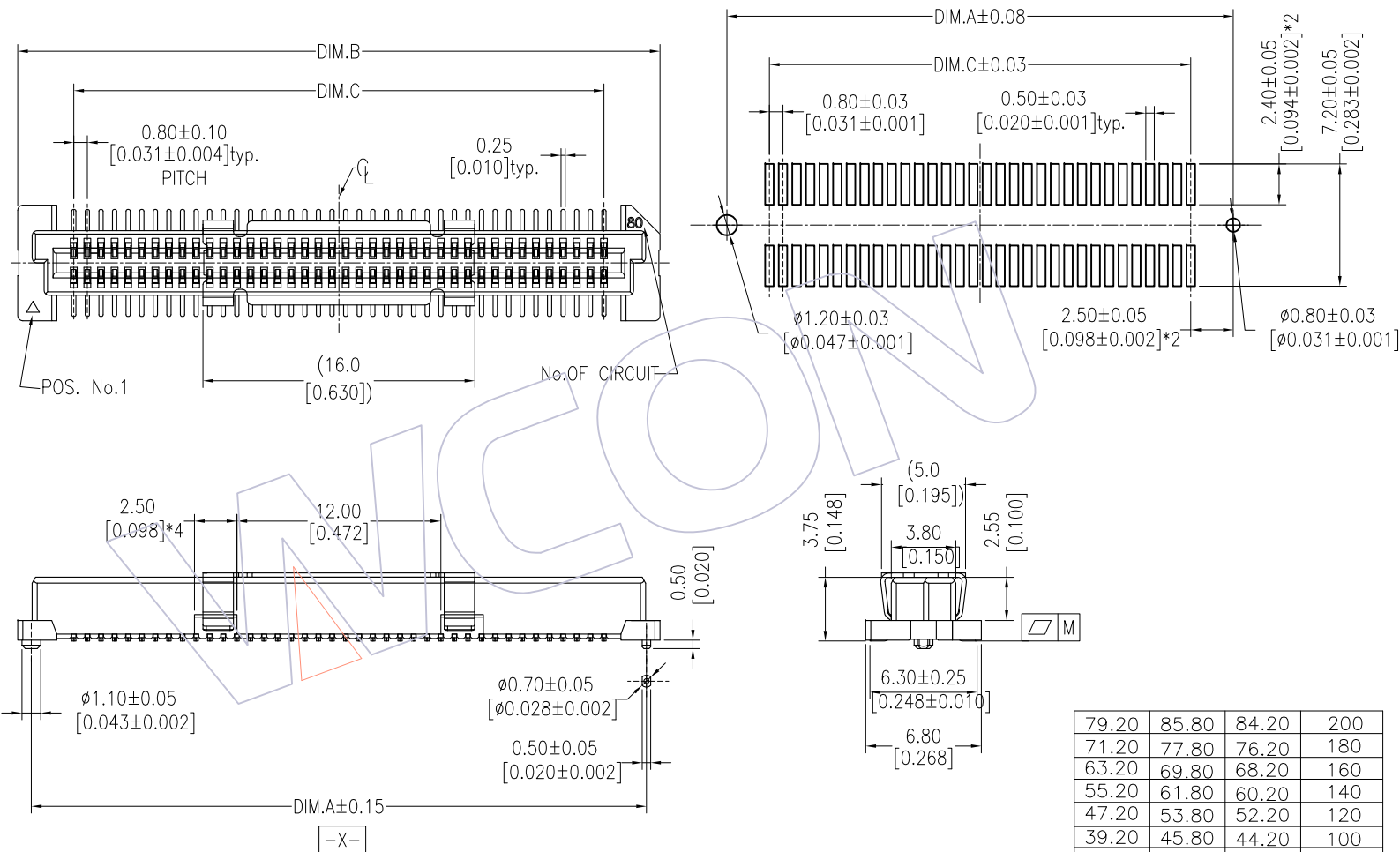
Flatness: <80Pins The "M" Is 0.12mm MAX
 ≥80Pins The "M" Is 0.15mm MAX

Ordering Information

3616-S XXX -037 XX R 01

No.of Pins Housing High Contact Plating R=Tape&Reel+CAP
 S1=3u"Gold/Tin
 S2=5u"Gold/Tin
 △

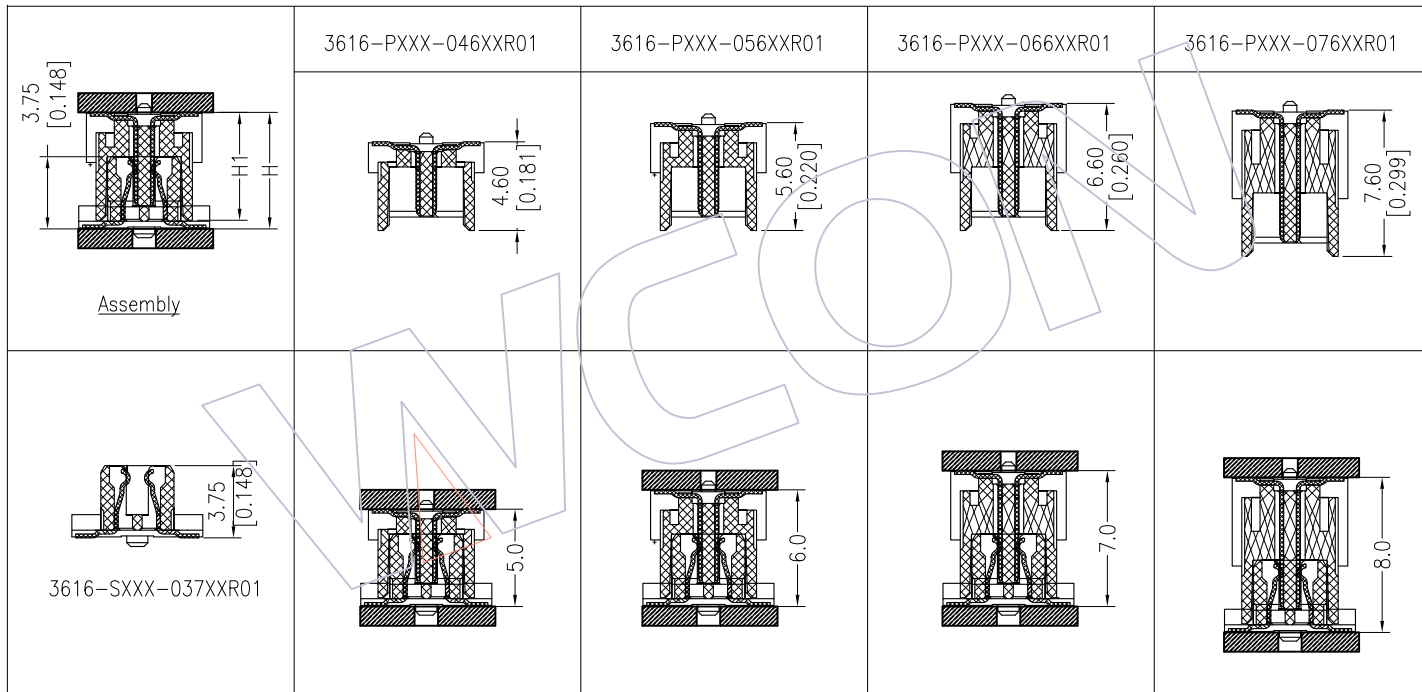
Recommended P.C.B Layout (Top Side)
 (PCB BOARD TOLERANCE ± 0.05)



79.20	85.80	84.20	200
71.20	77.80	76.20	180
63.20	69.80	68.20	160
55.20	61.80	60.20	140
47.20	53.80	52.20	120
39.20	45.80	44.20	100
31.20	37.80	36.20	80
23.20	29.80	28.20	60
15.20	21.80	20.20	40
DIM.C	DIM.B	DIM.A	PIN NO.

REV	DATE	MODIFICATION DESCRIPTION	CHANGE	OPERATION	DRAW	DATE	SCALE	FIT	PART NO.
A1	2014/11/07	Modify	△	X.X ±0.40	Allen	2014/11/07	UNIT	mm	3616-SXXX-037XXR01
A0	2014/06/24	NEW	—	X.XX ±0.25	CHECK	DATE	inch	A4	
				X.XXX ±0.15	APPROVE	DATE	SHEET	1/2	TITLE: 0.80mm B TO B Female H=3.75 "T" TYPE SMT
				Angle ± 3°			PROJ.	Customer NO.	
				DIM TOL					

HSF



				OPERATION	DRAW	DATE	SCALE	FIT	PART NO.	
				X.X	Allen	2014/11/07	UNIT	mm	3616-SXXX-037XXR01	
				X.XX	CHECK	DATE	inch		TITLE:	
A1	2014/11/07	Modify		X.XXX			A4		0.80mm B TO B Female	
A0	2014/06/24	NEW		Angle	APPROVE	DATE	SHEET	2/2	H=3.75 "T" TYPE SMT	
REV	DATE	MODIFICATION DESCRIPTION	CHANGE	DIM	TOL		PROJ.		Customer NO.	