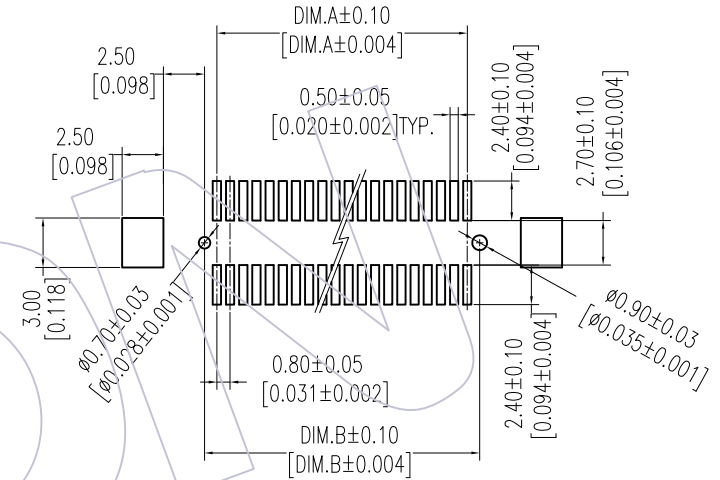
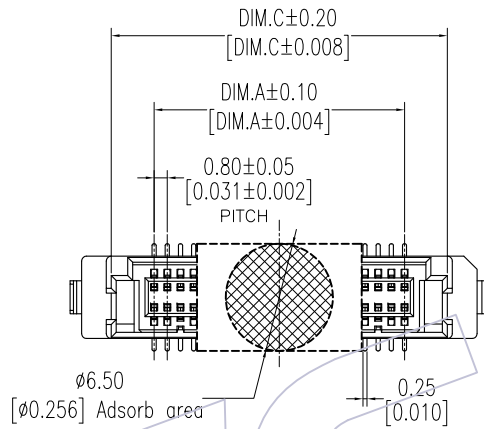


# HSF

Recommended P.C.B Layout (Top Side)  
(PCB BOARD TOLERANCE ± 0.05)

**NOTES:**  
 Current Rating: 0.5A AMP  
 Voltage Rating: 200V AC/300V DC  
 Contact Resistance: 70milliohm Max  
 Withstand Voltage: 500V AC/DC  
 Insulation Resistance: 100Megohm Min  
 Operation Temperature: -40°C to +85°C

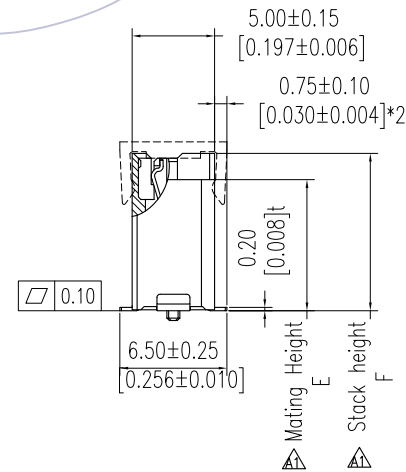
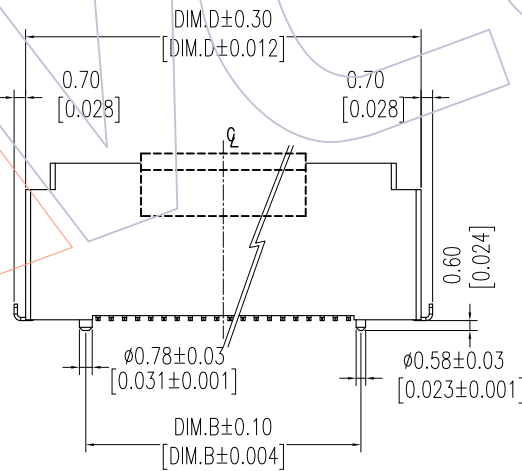
Housing Material: LCP (UL94V-0)  
 Contact Material: Copper alloy  
 Hold Down Material: Copper alloy  
 Contact plating: Au over Ni Plating



## Ordering Information

3615-S XXX - XXX XX X 01

No.of Pins    Housing High    Contact Plating    T=Tube  
 G1=3u"Gold    P=Tube+CAP  
 G2=5u"Gold    R=Tape&Reel+CAP  
 S1=3u"Gold/Tin  
 S2=5u"Gold/Tin



PART NO	E	F
3615-SXXX-065XXX01	5.00	6.55
3615-SXXX-095XXX01	8.00	9.55
3615-SXXX-125XXX01	11.00	12.55

NO. OF CONTACT	DIM. A	DIM. B	DIM. C	DIM. D
20	7.2	8.7	12.3	16
30	11.2	12.7	16.3	20
40	15.2	16.7	20.3	24
50	19.2	20.7	24.3	28
60	23.2	24.7	28.3	32
70	27.2	28.7	32.3	36
80	31.2	32.7	36.3	40
100	39.2	40.7	44.3	48
120	47.2	48.7	52.3	56
140	55.2	56.7	60.3	64

REV	DATE	MODIFICATION DESCRIPTION	CHANGE	OPERATION	DRAW	DATE	SCALE	FIT	PART NO.
				X.X ±0.40	Tsingnsn	2012/07/24	UNIT	mm	See Table
A1	2012/07/24	MODIFY		X.XX ±0.25	CHECK	DATE	SIZE	A4	TITLE: 0.80mm B TO B "E" FEMALE SMT TYPE
A0	2012/01/03	NEW		X.XXX ±0.15	APPROVE	DATE	SHEET	1/1	Customer NO.
				Angle ± 3'			PROJ.		
				DIM TOL					