

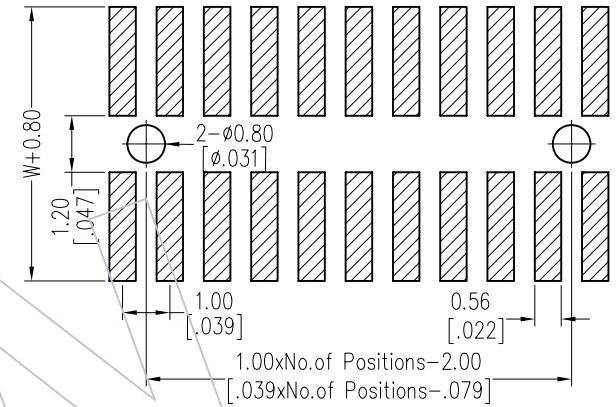
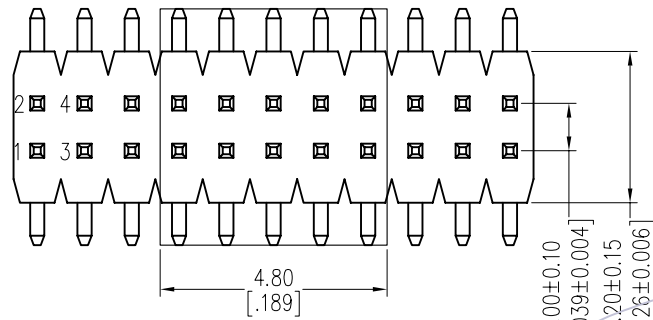
# HSF

**NOTES:**

Rated Current: 0.75AMP  
 Contact Resistance: 30mΩ max  
 Withstand Voltage: 500V AC/DC  
 Insulation Resistance: 1000MΩ min  
 Operation Temperature: -40°C to +105°C

Contact Material: Brass  
 Contact Plating: Au Over Ni  
 Insulator Material: PA9T+30%G.F UL94V-0 BK

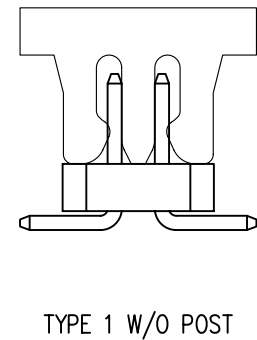
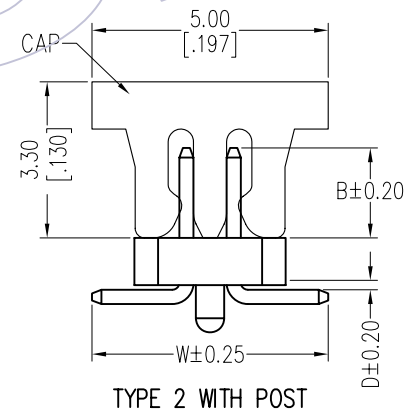
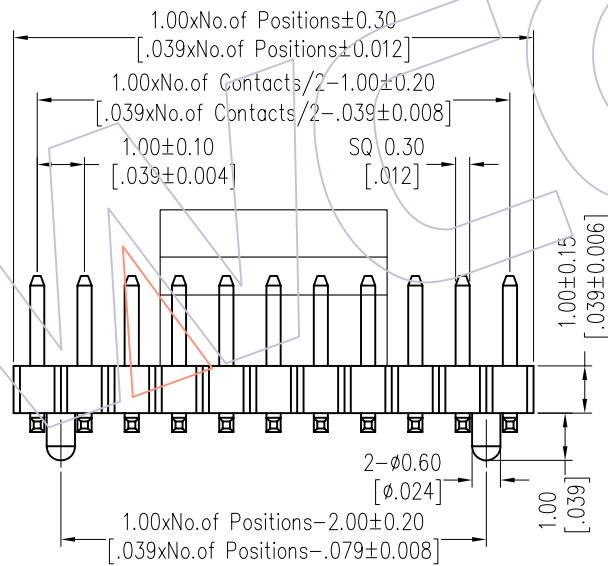
Recommended P.C.B Layout (Top Side)  
 (PCB BOARD TOLERANCE ±0.05)



## Ordering Information

1510-12 XX XX M 050 X X

No. of Pins Per Row: 01-50	Contact Plating G0=Gold Flash G3=10u"Gold G4=15u"Gold G5=30u"Gold	Pin Length L=B+D+1.0+ $\frac{W-1.0}{2}$ Standard: 050=5.0	Series No. 1=Type 1 2=Type 2 .....
Packing T=Tube P=Tube+CAP R=Tape&Reel+CAP			



Item	Pin Length	W	D	B
Standard	5.00	5.00	0.10	1.90
Alternate				

REV	DATE	MODIFICATION DESCRIPTION	CHANGE	OPERATION	DRAW	DATE	SCALE	Fit	PART NO.
				x.X ±0.40	JYHuang	2012.11.20	UNIT	mm	1510-12XXXXMXXXXX
A1	2012/11/20	Modify the material	-----	x.XX ±0.25	CHECK	DATE	SIZE	A4	TITLE: PH1.00 DUAL ROW SMT H=1.0
A0	2012/03/01	NEW	-----	x.XXX ±0.15	APPROVE	DATE	SHEET	1/1	Customer NO.
				Angle ± 3'			PROJ.		
				DIM TOL					