

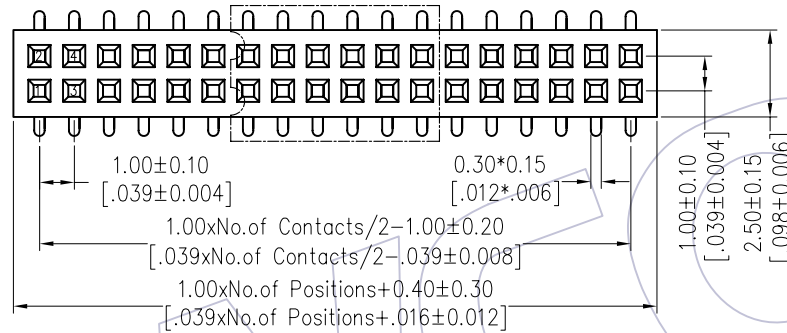
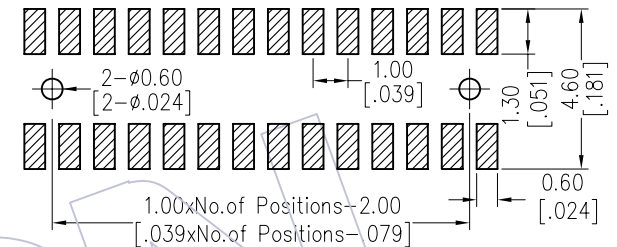
HSF

NOTES:

Rated Current: 1.0AMP
 Contact Resistance: 20mΩ max
 Withstand Voltage: 500V AC/DC
 Insulation Resistance: 1000MΩ min
 Operation Temperature: -40°C to +105°C

Contact Material: Phosphor Bronze
 Contact Plating: Au Over Ni
 Insulator Material: PA9T+30%G.F UL94V-0

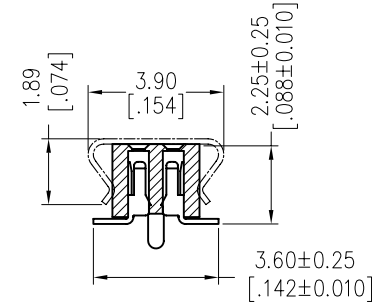
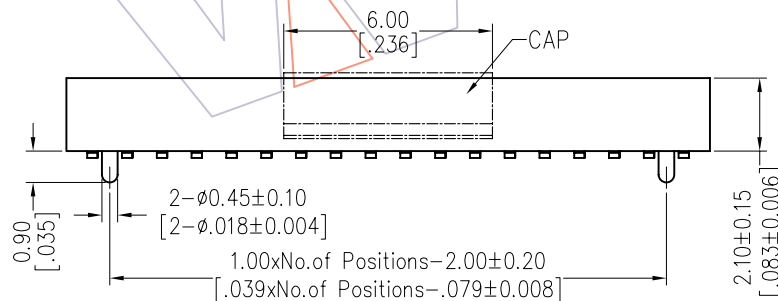
Recommended P.C.B Layout (Top Side)
 (PCB BOARD TOLERANCE ±0.05)



Ordering Information

2521-2 XX M XX CUN X X

No. of Pins per Row: 02-50P	Contact Plating: G0=Gold Flash, G3=10u"Gold, G4=15u"Gold, G5=30u"Gold	Packing: T=Tube, P=Tube+CAP, R=Tape&Reel+Cap	Series No.: 1=Type 1, 2=Type 2
-----------------------------	---	--	--------------------------------



TYPE 2 WITH POST

TYPE 1 WITHOUT POST

Item	Pitch	Mating
Standard	1.00	1510/1515/1521
Alternate		

		OPERATION		DRAW	DATE	SCALE	FIT	PART NO.	WCON
		X.X	±0.40	JYHuang	2012/07/05	UNIT	mm	2521-2XXMXXCUNXX	
		X.XX	±0.25	CHECK	DATE	SIZE	A4	TITLE:	
		X.XXX	±0.15	APPROVE	DATE	SHEET	1/1	FH1.00 DUAL ROW SMT H=2.1	
REV	DATE	MODIFICATION DESCRIPTION		CHANGE		PROJ.	Customer NO.		