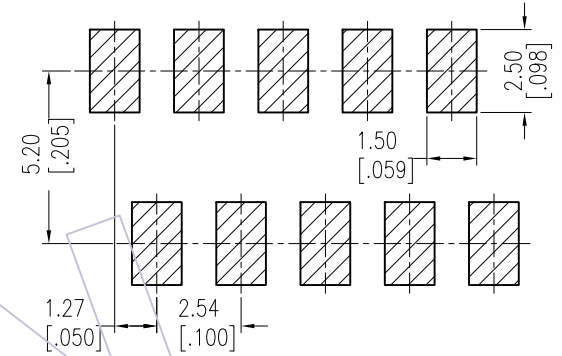
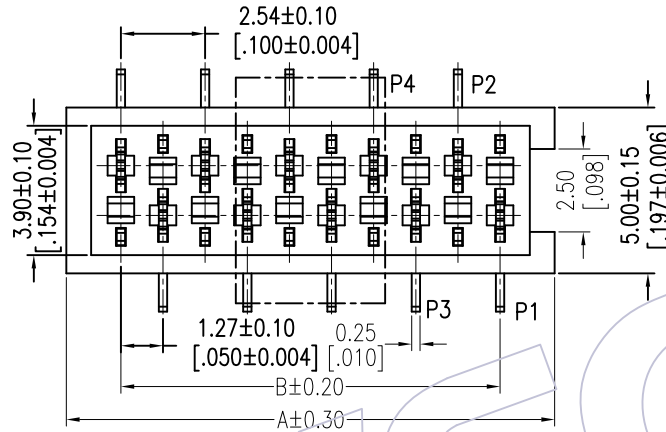


HSF

NOTES:
 Current Rating: 1.0AMP
 Contact Resistance: 20mΩ Max
 Withstand Voltage: 500V AC/DC
 Insulation Resistance: 1000MΩ Min
 Operation Temperature: -40°C to +105°C

Contact Material: Phosphor Bronze
 Contact plating: Sn Over Ni
 Insulator Material: PA46+30%G.F UL94V-0

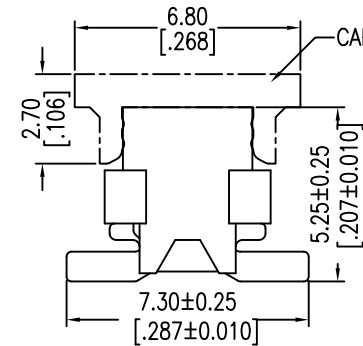
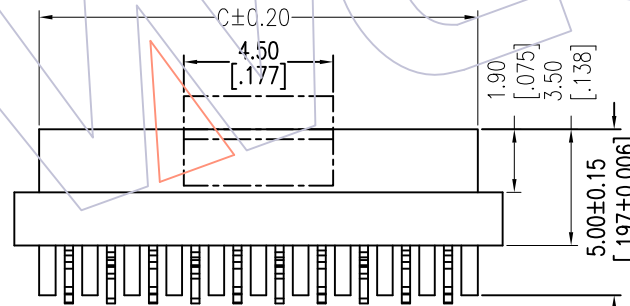
Recommended P.C.B Layout (Top Side)
 (PCB BOARD TOLERANCE ±0.05)



Ordering Information

3900-XX FM SN E N T 01

No. of Pins	Contact Plating	Insulator Material	Packing
04P 12P	SN=Tin	E=PA46	T=Tube
06P 14P			P=Tube+CAP
08P 16P			R=Tape&Reel+CAP
10P 18P			
20P			



Circuit	Part No.	Dimension			Q'ty /Tube
		A	B	C	
04	3900-04FMSNENT01	7.00	3.81	5.60	82
06	3900-06FMSNENT01	9.54	6.35	8.14	60
08	3900-08FMSNENT01	12.08	8.89	10.68	48
10	3900-10FMSNENT01	14.62	11.43	13.22	39
12	3900-12FMSNENT01	17.16	13.97	15.76	33
14	3900-14FMSNENT01	19.70	16.51	18.30	29
16	3900-16FMSNENT01	22.24	19.05	20.84	26
18	3900-18FMSNENT01	24.78	21.59	23.38	23
20	3900-20FMSNENT01	27.32	24.13	25.92	21

REV	DATE	MODIFICATION DESCRIPTION	CHANGE	OPERATION	DRAW	DATE	SCALE	FIT	PART NO.
A1	2014/05/28	MICRO MATCH--MINI MATCH		x.X ±0.40	JYHuang	2014/05/28	UNIT	mm	SEE TAB
AO	2012/10/11	NEW		x.XX ±0.25	CHECK	DATE	SIZE	A4	TITLE: Mini Match Socket 180° SMT Without Latch
				x.XXX ±0.15	APPROVE	DATE	SHEET	1/1	Customer NO.
				Angle ± 3'			PROJ.		
				DIM TOL					