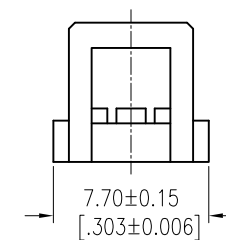
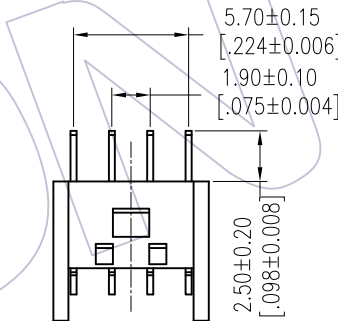
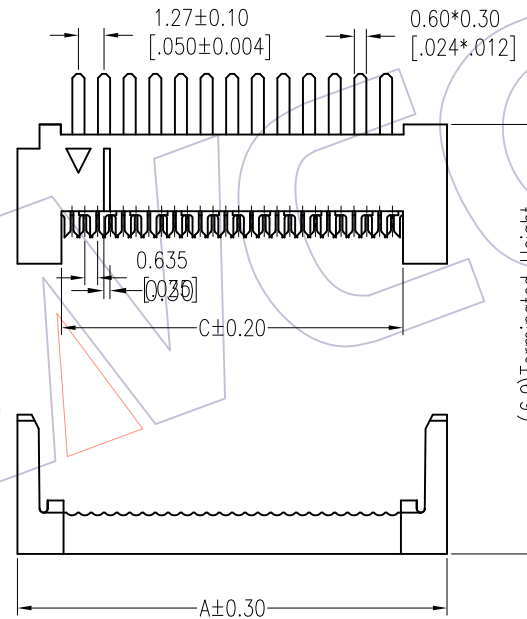
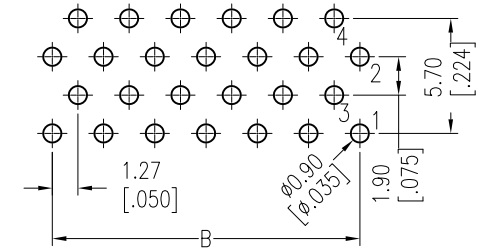
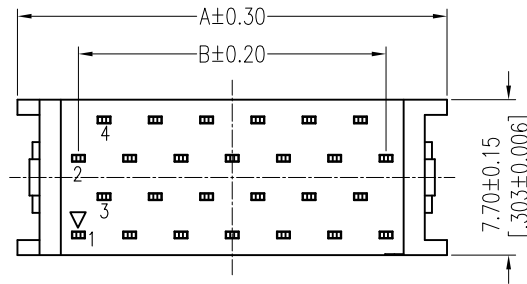


# HSF

NOTES:  
 Rated Current:1.0AMP  
 Contact Resistance:30mΩ max  
 Withstand Voltage:500V AC/DC  
 Insulation Resistance:1000MΩ min  
 Operation Temperature:-40°C to +105°C

Contact Material:Phosphor Bronze  
 Contact Plating:Sn Over Ni  
 Insulator Material:LCP+30%G.F UL94V-0  
 Cover Material:PBT+15%G.F UL94V-0

Recommended P.C.B Layout (Top Side)  
 (PCB BOARD TOLERANCE±0.05)



## Ordering Information

5341 - XX P XX X 02

No.of Pins  
 Contact Plating  
 SM=Matte Tin  
 Color Insulator  
 B=Black  
 G=Grey(427C)

No.of Pins	A	B	C
10	11.13	5.08	6.76
20	17.48	11.43	13.11
26	21.29	15.24	16.92
30	23.83	17.78	19.46
40	30.18	24.13	25.81
50	36.53	30.48	32.16
60	42.88	36.83	38.51
68	47.96	41.91	43.59
70	49.23	43.18	44.86
72	50.50	44.45	46.13
80	55.58	49.53	51.21
90	61.93	55.88	57.56
100	68.28	62.23	63.91

REV	DATE	MODIFICATION DESCRIPTION	CHANGE	OPERATION	DRAW	DATE	SCALE	FIT	PART NO.
				X.X ±0.40	Tang	2014/05/07	UNIT	mm	5341-XXPXXX02
				X.XX ±0.25	CHECK	DATE	SIZE	A4	
				X.XXX ±0.15	APPROVE	DATE	SHEET	1/1	TITLE:
				Angle ± 3'			PROJ.	Customer NO.	1.27mm DIP PLUG FOUR ROW FOOT "T"-TYPE (REVERSE)
				DIM TOL					