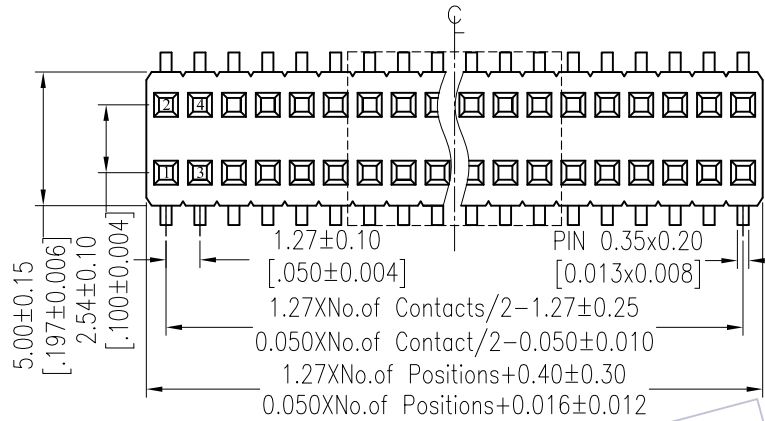


# HSF

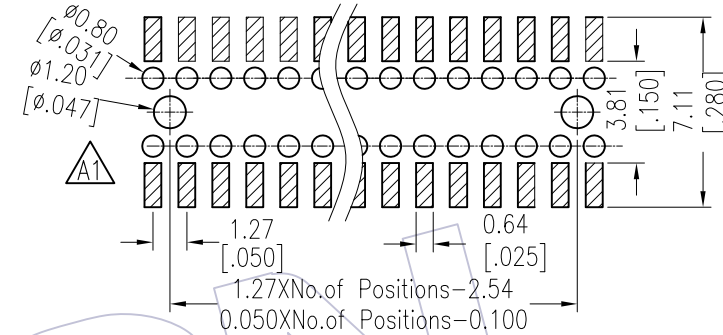
**NOTES:**

Current Rating: 1.0AMP  
 Contact Resistance: 20mΩ Max  
 Withstand Voltage: 500V AC/DC  
 Insulation Resistance: 1000MΩ Min  
 Operation Temperature: -40°C to +105°C

Contact Material: Phosphor Bronze  
 Contact plating: Au Or Sn over Ni  
 Insulator Material: PA9T+30%GF UL94V-0



**Recommended P.C.B Layout (Top Side)**  
 (PCB BOARD TOLERANCE  $\pm 0.05$ )



## Ordering Information

2457-2 XX M XX CUN T X

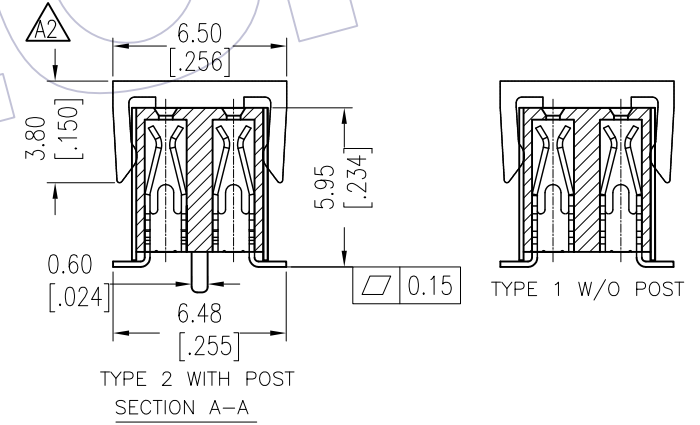
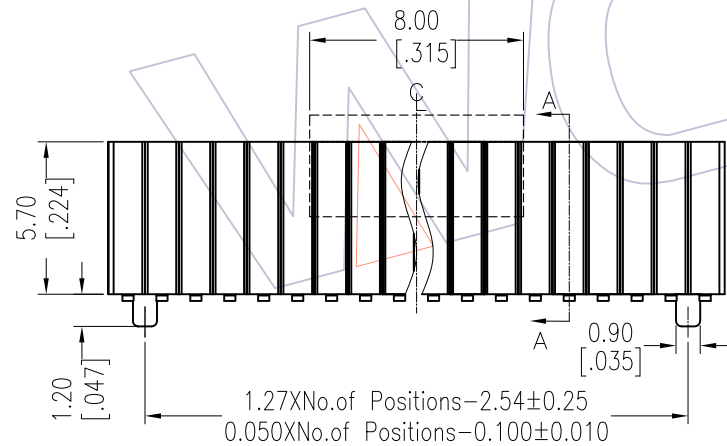
No. of Pins per Row: 02-50Pin

Contact Plating:  
 G0=Gold Flash  
 G3=10μ"Gold  
 G4=15μ"Gold  
 G5=30μ"Gold

Packing:  
 T=Tube  
 P=Tube+CAP  
 R=Tape&Reel+CAP

Series No.  
 1=Type 1  
 2=Type 2

S0=Gold Flash/Tin  
 S3=10μ"Gold/Tin  
 S4=15μ"Gold/Tin  
 S5=30μ"Gold/Tin  
 SN=Tin



| Item      | Pitch     | Mating    |
|-----------|-----------|-----------|
| Standard  | 1.27*2.54 | 1417/1425 |
| Alternate |           |           |



| TITLE  | PART NO.         |
|--------|------------------|
| TYPE 1 | 2457-2XXMXXCUNT1 |
| TYPE 2 | 2457-2XXMXXCUNT2 |

| REV | DATE       | MODIFICATION DESCRIPTION                 | CHANGE | OPERATION   | DRAW    | DATE       | SCALE | FIT          | PART NO.  |
|-----|------------|--|--------|-------------|---------|------------|-------|--------------|-----------|
| A2  | 2013/06/17 | Modify CAP 4.30 → 3.80                   | -----  | x.x ±0.40   | Wang    | 2013/06/17 | UNIT  | mm           | SEE TABLE |
| A1  | 2012/11/09 | Modified P.C.B Layout and the left table | -----  | x.xx ±0.25  | CHECK   | DATE       | SIZE  | A4           |           |
| A0  | 2012/07/10 | NEW                                      | -----  | x.xxx ±0.15 | APPROVE | DATE       | SHEET | 1/1          |           |
| REV | DATE       | MODIFICATION DESCRIPTION                 | CHANGE | Angle ± 3°  |         | DATE       | PROJ. | Customer NO. |           |