

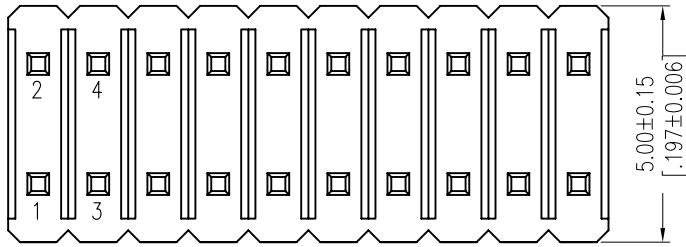
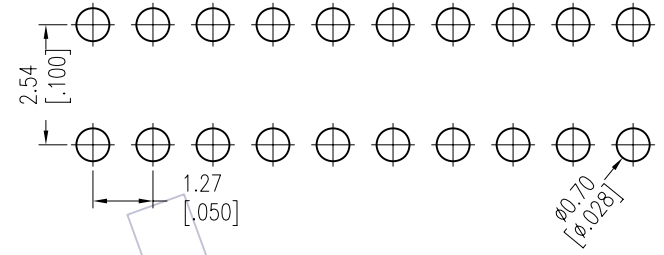
HSF

NOTES:

Rated Current:1.0AMP.
 Contact Resistance:20mΩ Max.
 Withstand Voltage:500V AC/DC
 Insulation Resistance:1000MΩ Min.
 Operation Temperature:-40°C to +105°C

Contact Material:Brass
 Contact Plating:Au or Sn Over Ni
 Insulator Material:PA9T+30%G.F UL94V-0 BK

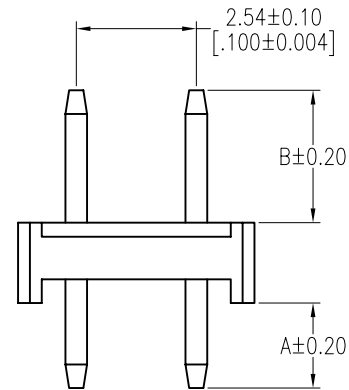
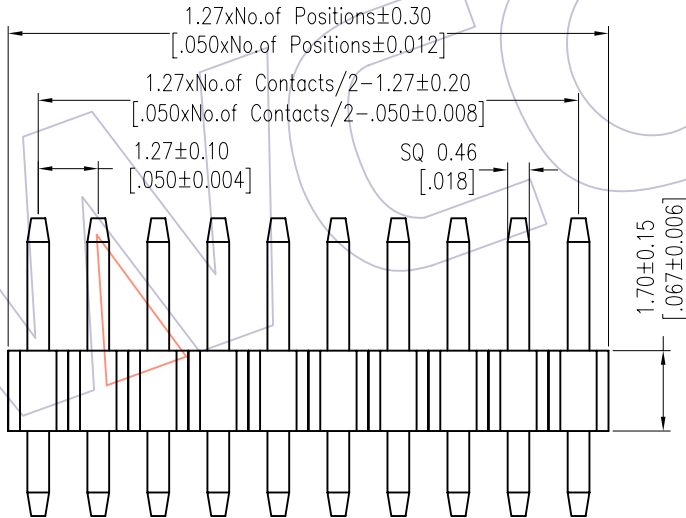
Recommended P.C.B Layout (Top Side)
 (PCB BOARD TOLERANCE±0.05)



Ordering Information

1417-12 XX XX S XXX X 1

No. of Pins Per Row:02-50	Contact Plating G0=Gold Flash G3=10u"Gold G4=15u"Gold G5=30u"Gold S0=Gold Flash/Tin S3=10u"Gold/Tin S4=15u"Gold/Tin S5=30u"Gold/Tin	Pin Length L=A+B+1.7 Standard:063=6.3 095=9.5	Packing A=Tray T=Tube
------------------------------	---	--	-----------------------------



Item	Pin Length	A	B	Mating
Standard	6.30	1.80	2.80	2446
	9.50	1.80	6.00	2485
Alternate				

				OPERATION	DRAW	DATE	SCALE	Fit	PART NO.
				X.X ±0.40	William Chen	2012.04.06	UNIT	mm	1417-12XXXXX
				X.XX ±0.25	CHECK	DATE	SIZE	A4	TITLE:
				X.XXX ±0.15	APPROVE	DATE	SHEET	1/1	PH1. 27*2.54 DUAL ROW 180° H=1.7
AO	2012/04/06		NEW	Angle ± 3'			PROJ.		Customer NO.
REV	DATE		MODIFICATION DESCRIPTION	DIM TOL					