

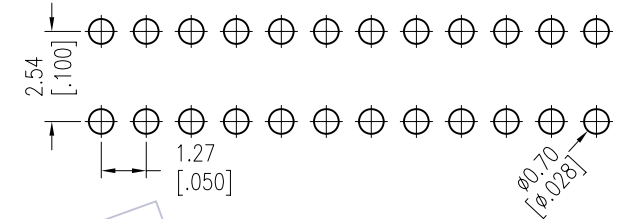
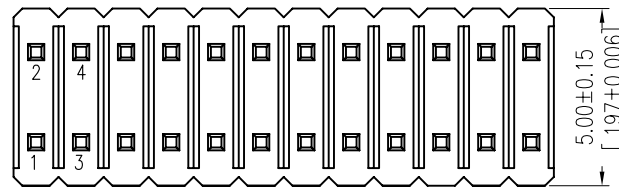
HSF

Recommended P.C.B Layout (Top Side)
(PCB BOARD TOLERANCE ±0.05)

NOTES:

Rated Current: 1.0AMP.
Contact Resistance: 20mΩ Max.
Withstand Voltage: 500V AC/DC
Insulation Resistance: 1000MΩ Min.
Operation Temperature: -40°C to +105°C

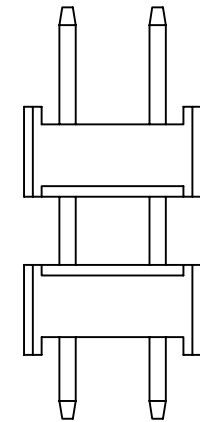
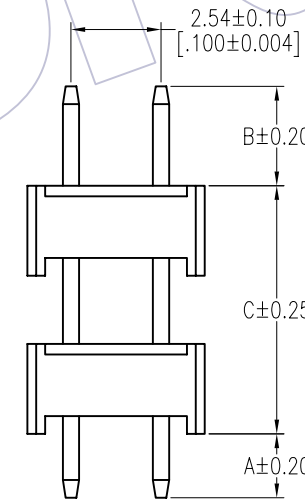
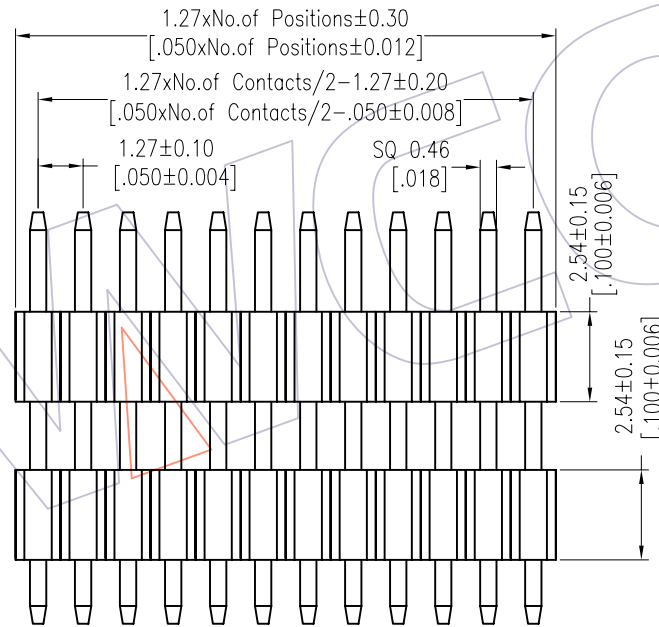
Contact Material: Brass
Contact Plating: Au or Sn Over Ni
Insulator Material: PA9T+30%G.F UL94V-0 BK



Ordering Information

1425-22 XX XX S XXX X X

No. of Pins Per Row: 02-50	Contact Plating G0=Gold Flash G3=10u"Gold G4=15u"Gold G5=30u"Gold S0=Gold Flash/Tin S3=10u"Gold/Tin S4=15u"Gold/Tin S5=30u"Gold/Tin	Pin Length L=A+B+C Standard:	Packing A=Tray T=Tube	Series No. 1=Type 1 2=Type 2
-------------------------------	---	------------------------------------	-----------------------------	---



TYPE 1

TYPE 2

Item	Pin Length	A	B	C	Mating
Standard	----	1.80	2.80	----	2446
	----	1.80	6.00	----	2485
Alternate					

				OPERATION		DRAW		DATE		SCALE		Fit		PART NO.		<p>Http: www.wcon.com</p> <p>WCON-Dongguan WCON-Kunshan</p> <p>Tel: +86 512 57468408</p> <p>Fax: +86 512 57468468</p> <p>E-mail: sales@wcon.com</p>	
				x.X ±0.40		William Chen		2012.04.06		UNIT		mm		1425-22XXXXXXX			
				x.XX ±0.25		CHECK		DATE		SIZE		A4		TITLE:			
				x.XXX ±0.15		APPROVE		DATE		SHEET		1/1		PH1. 27*2.54 DUAL ROW DOUBLE PLASTIC 180° H=2.54			
AO		2012/04/06		NEW		-----				PROJ.		⌀		Customer NO.			
REV	DATE	MODIFICATION DESCRIPTION		CHANGE	DIM	TOL											