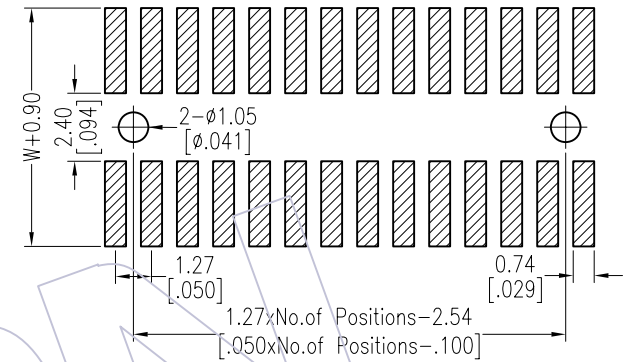
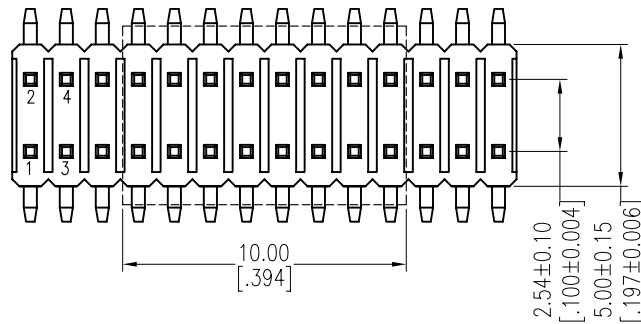


# HSF

NOTES:  
 Rated Current:1.0AMP.  
 Contact Resistance:20mΩ Max.  
 Withstand Voltage:500V AC/DC  
 Insulation Resistance:1000MΩ Min.  
 Operation Temperature:-40°C to +105°C

Contact Material:Brass  
 Contact Plating:Au or Sn Over Ni  
 Insulator Material:PA9T+30%G.F UL94V-0 BK

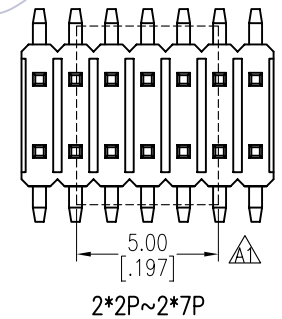
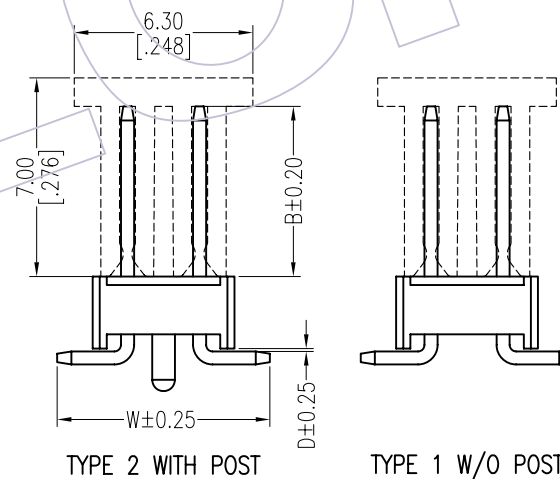
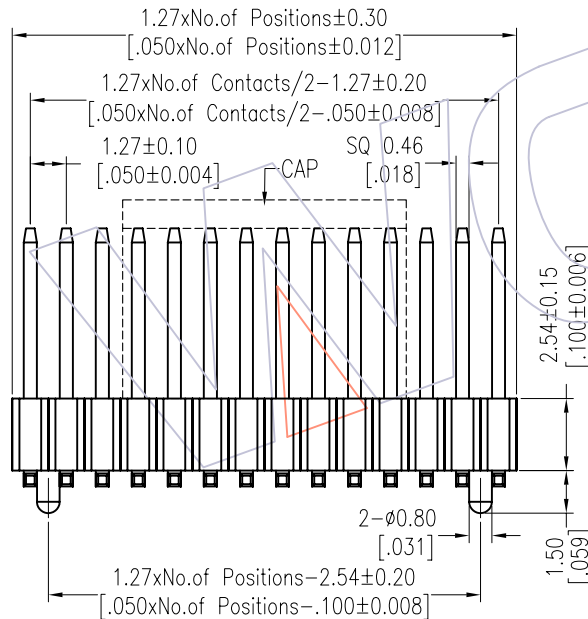
Recommended P.C.B Layout (Top Side)  
 (PCB BOARD TOLERANCE±0.05)



## Ordering Information

1425-12 XX XX M XXX X X

No. of Pins Per Row:02-50	Contact Plating G0=Gold Flash G3=10u"Gold G4=15u"Gold G5=30u"Gold S0=Gold Flash/Tin S3=10u"Gold/Tin S4=15u"Gold/Tin S5=30u"Gold/Tin	Pin Length L=B+D+2.5+ $\frac{W-2.54}{2}$ Standard:079=7.9 111=11.1	Series No. 1=Typer 1 2=Typer 2 .....	Packing T=Tube P=Tube+CAP R=Tape&Reel+CAP
------------------------------	---	---	---	--



Item	Pin Length	W	D	B	Mating
Standard	7.90	7.50	0.10	2.80	2446
	11.10	7.50	0.10	6.00	2485
Alternate					

REV	DATE	MODIFICATION DESCRIPTION	CHANGE	OPERATION	DRAW	DATE	SCALE	Fit	PART NO.
				X.X ±0.40	William Chen	2012.09.20	UNIT	mm	1425-12XXXXMXXXXX
A1	2012/09/20	Modify Drawing	-----	X.XX ±0.25	CHECK	DATE	SIZE	A4	TITLE: PH1.27*2.54 DUAL ROW SMT H=2.54
A0	2012/04/06	NEW	-----	X.XXX ±0.15	APPROVE	DATE	SHEET	1/1	Customer NO.
				Angle ± 3'			PROJ.		
				DIM TOL					