


HSF

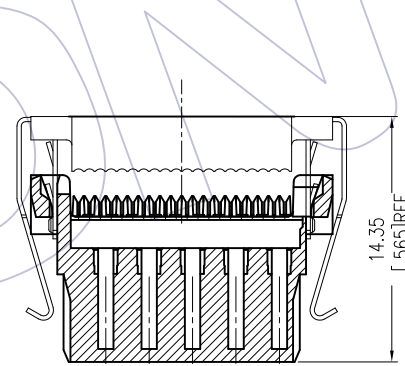
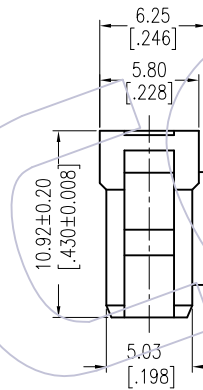
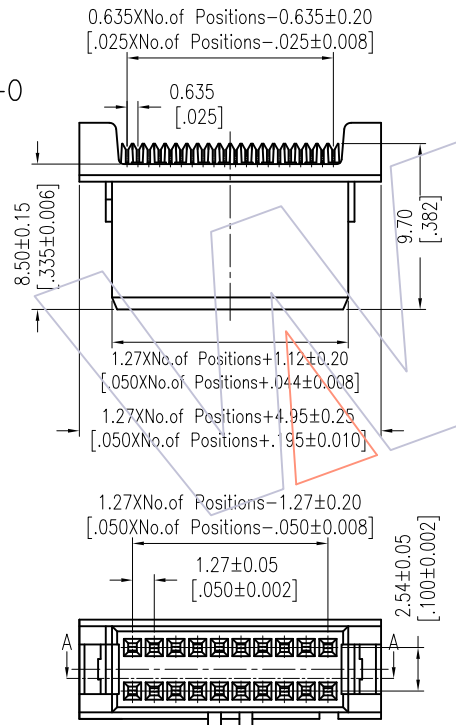
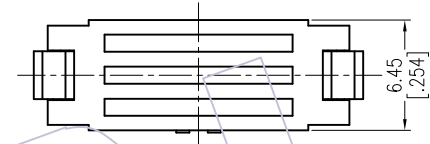
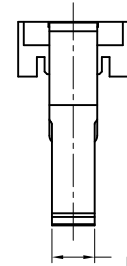
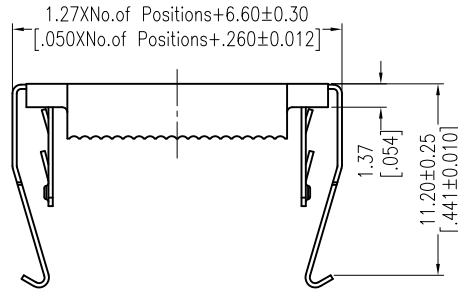
NOTES:
 Current Rating:1.0AMP
 Contact Resistance:30mΩ max
 Withstand Voltage:500V AC/DC
 Insulation Resistance:1000MΩ min
 Operation Temperature:-40°C to +105°C

Contact Material:Phosphor Bronze
 Contact plating:Au Or Sn over Ni
 Insulator Material:Body:LCP+30%G.F UL94V-0
 Cover:PBT+30%G.F UL94V-0

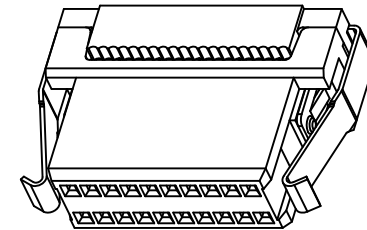
Ordering Information

5243-XX Y P XX B X 01


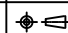
No.of Pins Contact Plating  Insulator Shape
 S0=Gold Flash/Tin W:With Bump
 S3=10u"Gold/Tin N:Without Bump
 S4=15u"Gold/Tin
 S5=30u"Gold/Tin
 SN=Tin



SECTION A-A



Item	Pitch	Mating
Standard	1.27X2.54	3144
Alternate		

REV	DATE	MODIFICATION DESCRIPTION	CHANGE	OPERATION	DRAW	DATE	SCALE	FIT	PART NO.
				X.X ±0.40	Tsingsn	2013/08/12	UNIT	mm	5243-XXYPXXBX01
A1	2013/08/12	Modify the Plated Gold/Ni to Gold/Tin		X.XX ±0.25	CHECK	DATE	SIZE	A4	TITLE:
AO	2012/10/10	NEW	-----	X.XXX ±0.15			SHEET	1/1	1.27*2.54mm IDC WITH LATCH
				Angle ± 3'	APPROVE	DATE	PROJ.		Customer NO.
				DIM TOL					