

# HSF

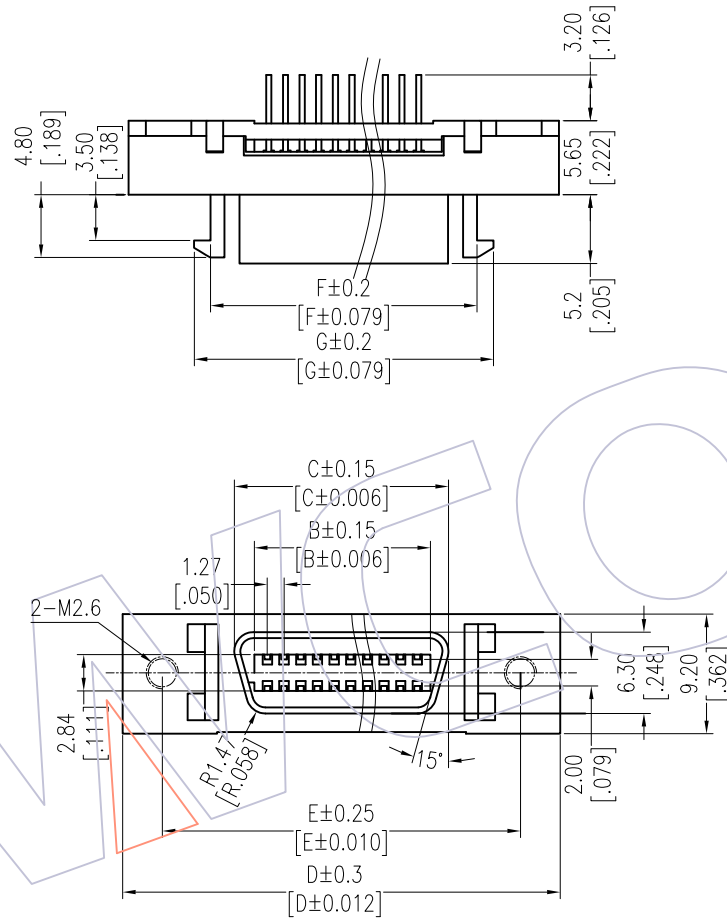
NOTES:  
 Current Rating: 0.5AMP  
 Contact Resistance: 80mΩ Max  
 Withstand Voltage: 500V AC/DC  
 Insulation Resistance: 500MΩ Min  
 Operation Temperature: -55°C to +85°C

Contact Material: Phosphor Bronze  
 Contact plating: Au Or Sn over Ni  
 Insulator Material: PBT UL94V-0  
 Shell: Zinc Alloy

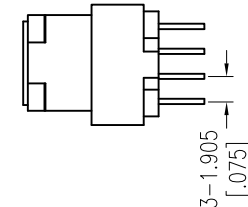
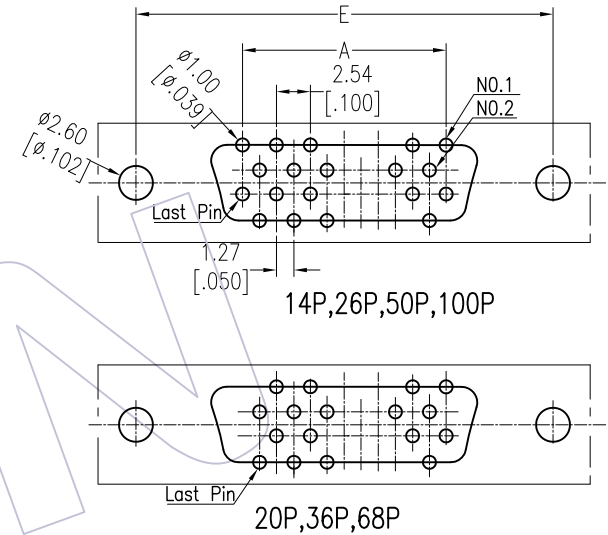
## Ordering Information

6321-0XXS D XX MNT 01

No. of Pins	Contact Plating
14P	S1=3u"Gold/Tin
20P	S3=10u"Gold/Tin
26P	S4=15u"Gold/Tin
36P	S5=30u"Gold/Tin
50P	
68P	
100P	



Recommended P.C.B Layout(Top Side)  
 (PCB BOARD TOLERANCE±0.05)



No. of Pin	DIM						
	A	B	C	D	E	F	G
14	7.62	9.52	12.6	29.51	23.64	17.25	19.58
20	10.16	13.1	16.43	33.32	27.45	21.06	23.39
26	15.24	17.1	20.24	37.13	31.26	24.76	27.2
36	20.32	23.4	26.5	43.48	37.61	31.11	33.55
50	30.48	32.29	35.39	52.37	46.5	40.0	42.44

REV	DATE	MODIFICATION DESCRIPTION	CHANGE	OPERATION	DRAW	DATE	SCALE	FIT	PART NO.
				x.x ±0.40	JYHuang	2013/05/15	UNIT	mm	6321-0XXSDXXMNT01
				x.xx ±0.25	CHECK	DATE	SIZE	A4	TITLE: SCSI FEMALE 180° DIP
				x.xxx ±0.15	APPROVE	DATE	SHEET	1/1	Customer NO.
AO	2013/05/15	NEW	-----	Angle ± 3'			PROJ.		
				DIM TOL					