

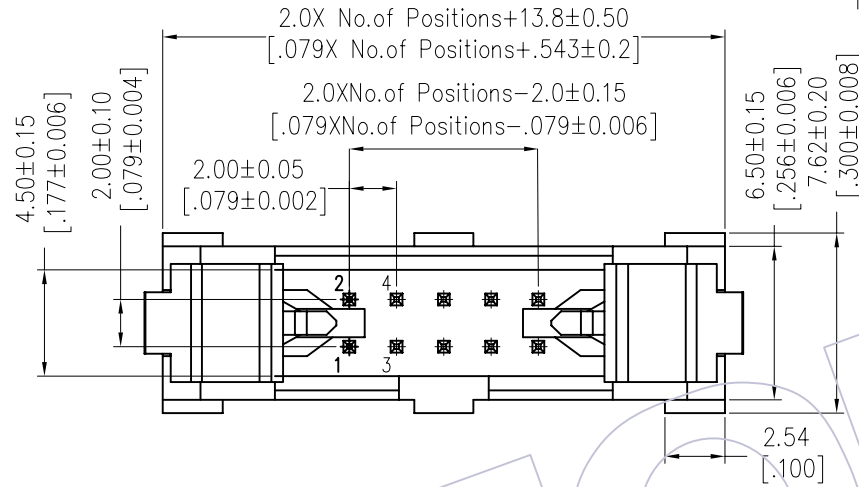
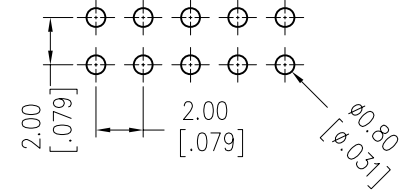
HSF

NOTES:

Current Rating: 2.0AMP
 Contact Resistance: 20mΩ Max
 Withstand Voltage: 1000V AC/DC
 Insulation Resistance: 1000MΩ Min
 Operation Temperature: -40°C to +105°C

Contact Material: Brass
 Contact plating: Au Or Sn over Ni
 Insulator Material: LCP+30%G.F UL94V-0

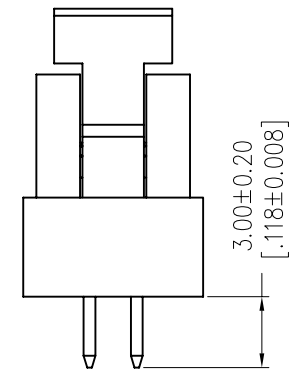
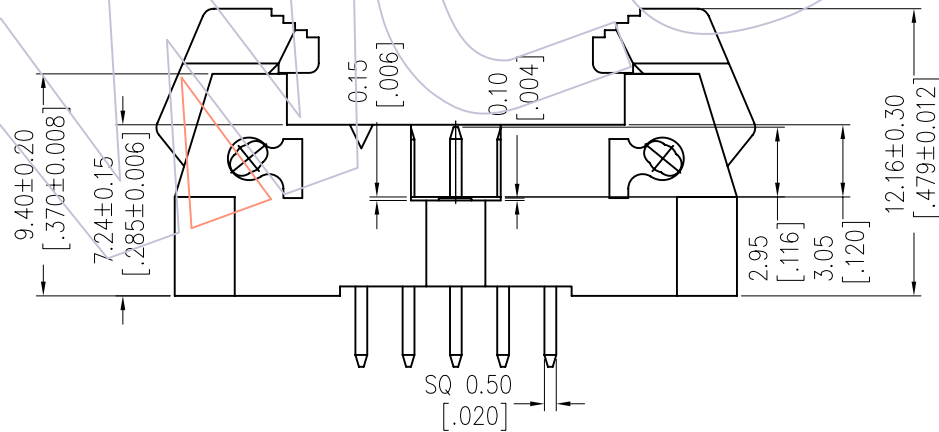
Recommended P.C.B Layout(Top Side)
 (PCB BOARD TOLERANCE±0.05)



Ordering Information

3221-XX S XX B S T 1

No. of Pins	Contact Plating	Insulator Color	Packing
06 30	G0=Gold Flash	B=Black	A=Tray
08 34	G3=10u"Gold	U=Blue	T=Tube
10 40	G4=15u"Gold	G=Grey(427C)	
14 44	G5=30u"Gold	E=Grey(413C)	
16 50	S0=Gold Flash/Tin		
20 60	S3=10u"Gold/Tin		
24 64	S4=15u"Gold/Tin		
26	S5=30u"Gold/Tin		
	SN=Tin		



Item	Pitch	Mating
Standard	2.00	5225
Alternate		

REV	DATE	MODIFICATION DESCRIPTION	CHANGE	OPERATION	DRAW	DATE	SCALE	FIT	PART NO.
				x.x ±0.40	JYHuang	2012/10/08	UNIT	mm	3221-XXSXXBST1
				x.xx ±0.25	CHECK	DATE	SIZE	A4	TITLE: 2.0 Ejector Header "S" Type 180°
				x.xxx ±0.15	APPROVE	DATE	SHEET	1/1	Customer NO.
				Angle ± 3°			PROJ.		
				DIM TOL					