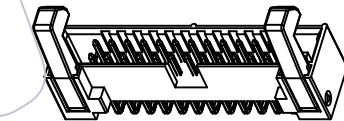
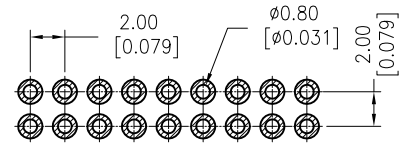
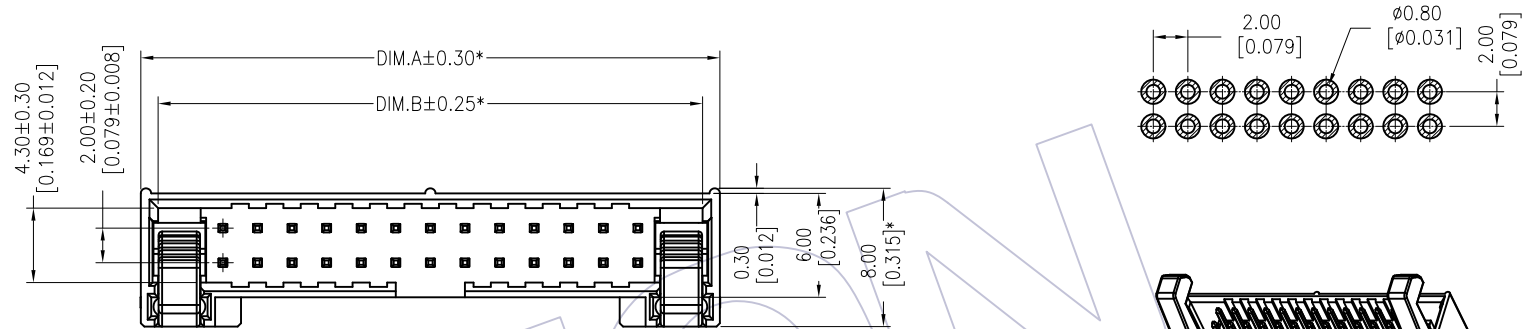


HSF

NOTES:
 Rated Current:1.0AMP
 Contact Resistance:20mΩ max
 Withstand Voltage:500V AC/DC
 Insulation Resistance:1000MΩ min
 Operation Temperature:-40°C to +105°C

Housing Material:PA9T+30%GF(UL94V-0)
 Latch Material:PA9T+30%GF(UL94V-0)
 Contact Material:Brass
 Contact plating:Au or Sn over Ni Plated
 Fixed Axle Material:Brass
 Fixed Axle plating:Ni Plated

Recommended P. C. B Layout (Top Side)
 (PCB BOARD TOLERANCE ± 0.05)

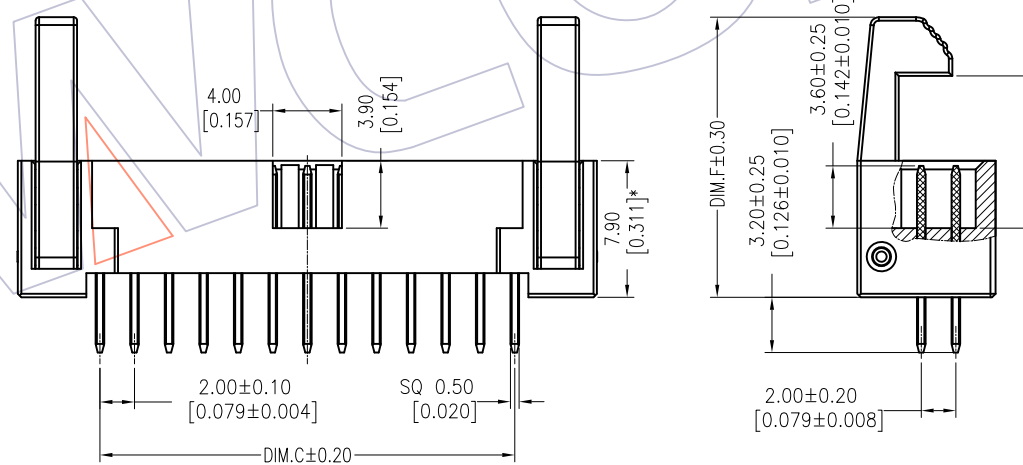


3D VIEW(REF.)
 SCALE 1:2

Ordering Information

3223 - XX S XX B X X 1

No. of Pins	Contact Plating	Insulator Color	Latch Type	Packing
10 34	G0=Gold Flash	B=Black	L=Long Latch	T=Tube
14 40	G1=3u"Gold		S=Short Latch	A=Tray
16 50	G2=5u"Gold			
20 60	G3=10u"Gold			
26 64	G4=15u"Gold			
30	G5=30u"Gold			
	S0=Gold Flash/Tin			
	S1=3u"Gold/Tin			
	S2=5u"Gold/Tin			
	S3=10u"Gold/Tin			
	S4=15u"Gold/Tin			
	S5=30u"Gold/Tin			
	SN=Tin			



PART NO.	DIM.E	DIM.F
3223-XXSXXBLX1	11.60	19.00
3223-XXSXXBSX1	8.80	16.20

No. Of POSITION	DIM.A	DIM.B	DIM.C
10	17.50	15.50	8.00
12	19.50	17.50	10.00
14	21.50	19.50	12.00
16	23.50	21.50	14.00
20	27.50	25.50	18.00
22	29.50	27.50	20.00
24	31.50	29.50	22.00
26	33.50	31.50	24.00
30	37.50	35.50	28.00
34	41.50	39.50	32.00
40	47.50	45.50	38.00
44	51.50	49.50	42.00
48	55.50	53.50	46.00
50	57.50	55.50	48.00
68	75.50	73.50	66.00

REV	DATE	MODIFICATION DESCRIPTION	CHANGE	OPERATION		DRAW	DATE	SCALE	FIT	PART NO.
				X.X	±0.40					
				X.XX	±0.25	CHECK	DATE	UNIT	inch	TITLE:
				X.XXX	±0.15	APPROVE	DATE	SIZE	A4	2.00mm EJECTOR HEADER
				Angle	± 3'		DATE	SHEET	1/1	180° DIP TYPE
				DIM	TOL			PROJ.	Customer NO.	