

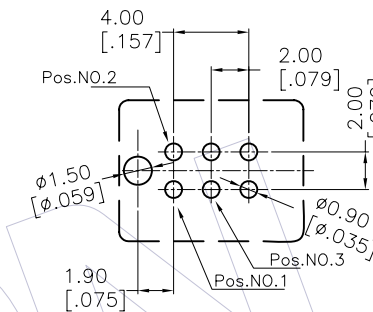
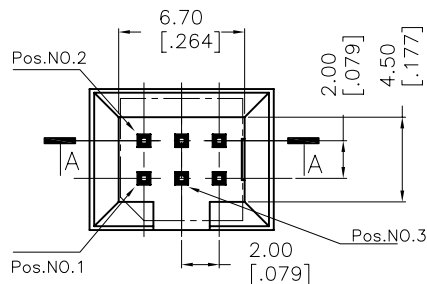
HSF

NOTES:

Current Rating:3.0AMP
 Contact Resistance:30milliohm Max
 Withstand Voltage:500V AC
 Insulation Resistance:1000Megohm Min
 Operation Temperature:-40°C to +105°C

Housing Material:PPA(UL94V-0)
 Contact Material:Brass
 Contact plating:Au over Ni Plating

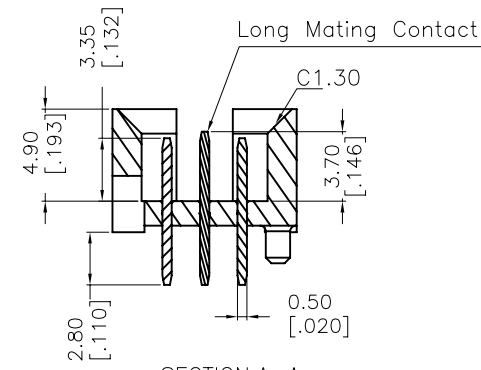
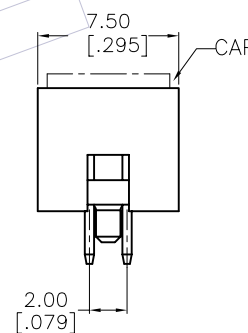
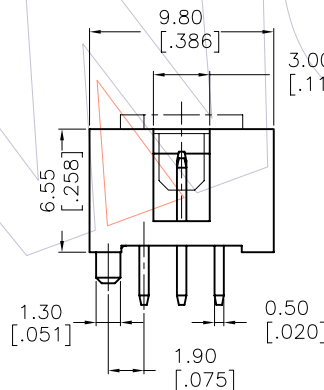
RECOMMENDED PCB LAYOUT
 TOLERANCE IS ±0.05



Ordering Information

3126 - 06 S XX B K00 R 1

- No.of Pins per Row: 06
- Contact Plating: G0=Gold Flash, G1=3u"Gold, G2=5u"Gold, G3=10u"Gold, G4=15u"Gold, G5=30u"Gold, G6=20u"Gold, S0=Gold Flash/Tin, S1=3u"Gold/Tin, S2=5u"Gold/Tin, S3=10u"Gold/Tin, S4=15u"Gold/Tin, S5=30u"Gold/Tin, S6=20u"Gold/Tin, SN=Tin
- Insulator Color: B:Black
- None Of Pin: K00:Full pin
- Packing: R=Tape & Reel



SECTION:A-A

				OPERATION		DRAW		DATE		SCALE		PART NO.		<h1>WCON</h1>	
				X.X ±0.40		LKP		2012.07.20		1:1		3126-06SXXBK00R1			
				X.XX ±0.25		CHECK		DATE		mm in		TITLE:			
				X.XXX ±0.15		APPROVE		DATE		A4		2.0 BOX XXP S/T H=6.55			
A0	2012.07.20	NEW		-		Angle ± 3'		DATE		SHEET		Customer NO.			
REV	DATE	MODIFICATION DESCRIPTION		CHANGE		DIM TOL		PROJ.		1/1					