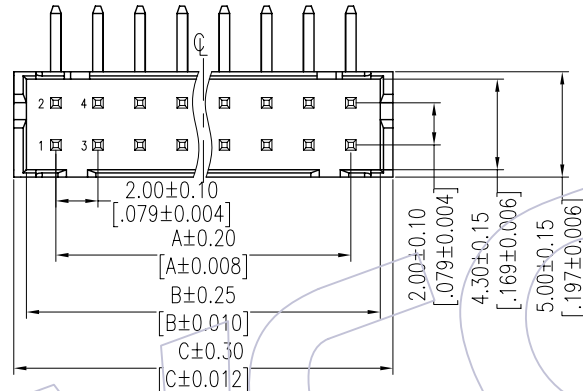
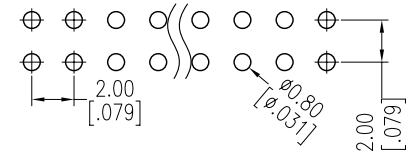


# HSF

Recommended P.C.B Layout(Top Side)  
(PCB BOARD TOLERANCE±0.05)

**NOTES:**

- Rated Voltage:250V AC/DC
- Rated Current:2.0AMP
- Contact Resistance:20mΩ max
- Withstand Voltage:800V AC/DC
- Insulation Resistance:100MΩ min
- Operation Temperature:-25°C to +85°C
- Contact Material:Brass
- Contact plating:Au or Sn over Ni
- Insulator Material:PA66 Or PA46(UL94V-0)



04 PIN Configuration

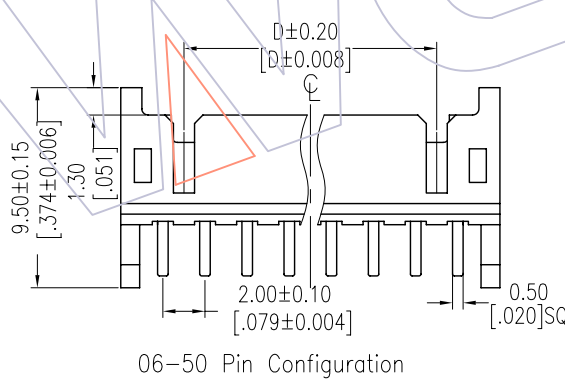
**Specification & Ordering Information:**

Circuit	Part No.	Dimension				/Tray
		A	B	C	D	
04	WF2002-WR04XA1	2.00	4.80	6.00	---	670
06	WF2002-WR06XA1	4.00	6.80	8.00	---	510
08	WF2002-WR08XA1	6.00	8.80	10.00	4.00	400
10	WF2002-WR10XA1	8.00	10.80	12.00	6.00	330
12	WF2002-WR12XA1	10.00	12.80	14.00	8.00	280
14	WF2002-WR14XA1	12.00	14.80	16.00	10.00	250
16	WF2002-WR16XA1	14.00	16.80	18.00	12.00	220
18	WF2002-WR18XA1	16.00	18.80	20.00	14.00	190
20	WF2002-WR20XA1	18.00	20.80	22.00	16.00	170
22	WF2002-WR22XA1	20.00	22.80	24.00	18.00	160
24	WF2002-WR24XA1	22.00	24.80	26.00	20.00	140
26	WF2002-WR26XA1	24.00	26.80	28.00	22.00	140
28	WF2002-WR28XA1	26.00	28.80	30.00	24.00	110
30	WF2002-WR30XA1	28.00	30.80	32.00	26.00	110
32	WF2002-WR32XA1	30.00	32.80	34.00	28.00	110
34	WF2002-WR34XA1	32.00	34.80	36.00	30.00	110
36	WF2002-WR36XA1	34.00	36.80	38.00	32.00	90
38	WF2002-WR38XA1	36.00	38.80	40.00	34.00	90
40	WF2002-WR40XA1	38.00	40.80	42.00	36.00	90
42	WF2002-WR42XA1	40.00	42.80	44.00	38.00	80
44	WF2002-WR44XA1	42.00	44.80	46.00	40.00	80
46	WF2002-WR46XA1	44.00	46.80	48.00	42.00	80
48	WF2002-WR48XA1	46.00	48.80	50.00	44.00	80
50	WF2002-WR50XA1	48.00	50.80	52.00	46.00	60

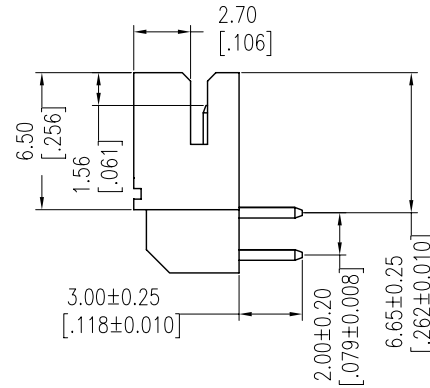
**Ordering Information**

WF2002 - WR H XX X A 1

- No. of pins: 04-50P
- Contact Plating: S0=Gold Flash/Tin, S3=10u"Gold/Tin, S4=15u"Gold/Tin, S5=30u"Gold/Tin, G0=Gold Flash, G3=10u"Gold, G4=15u"Gold, G5=30u"Gold, Blank=Tin
- Color: B=Black, E=Beige, W=White
- Packing: A=Tray, T=Tube
- H=PA46, Blank=PA66



06-50 Pin Configuration



REV	DATE	MODIFICATION DESCRIPTION	CHANGE	OPERATION	DRAW	DATE	SCALE	FIT	PART NO.
				X.X ±0.40	JYHuang	2013/01/30	UNIT	mm	SEE TAB
A1	2013/01/30	Add The 04 Pin Configuration Draw		X.XX ±0.25	CHECK	DATE	SIZE	A4	TITLE: PHD2.0 WAFER 90°
AO	2012/08/25	NEW		X.XXX ±0.15	APPROVE	DATE	SHEET	1/1	Customer NO.
				Angle ± 3'			PROJ.		
				DIM TOL					