

HSF

Recommended P.C.B Layout(Top Side)
(PCB BOARD TOLERANCE±0.05)

NOTES:
 Current Rating: 2.0AMP
 Contact Resistance: 20mΩ Max
 Withstand Voltage: 500V AC/DC
 Insulation Resistance: 1000MΩ Min
 Operation Temperature: -40°C to +105°C

Contact Material:Phosphor Bronze
 Contact plating:Au over Ni
 Insulator Material:PA9T+30%GF UL94V-0

Ordering Information

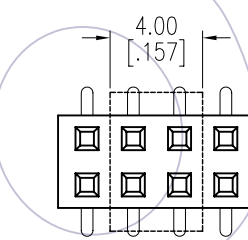
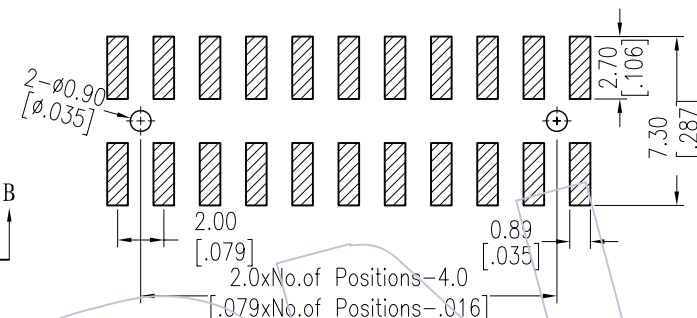
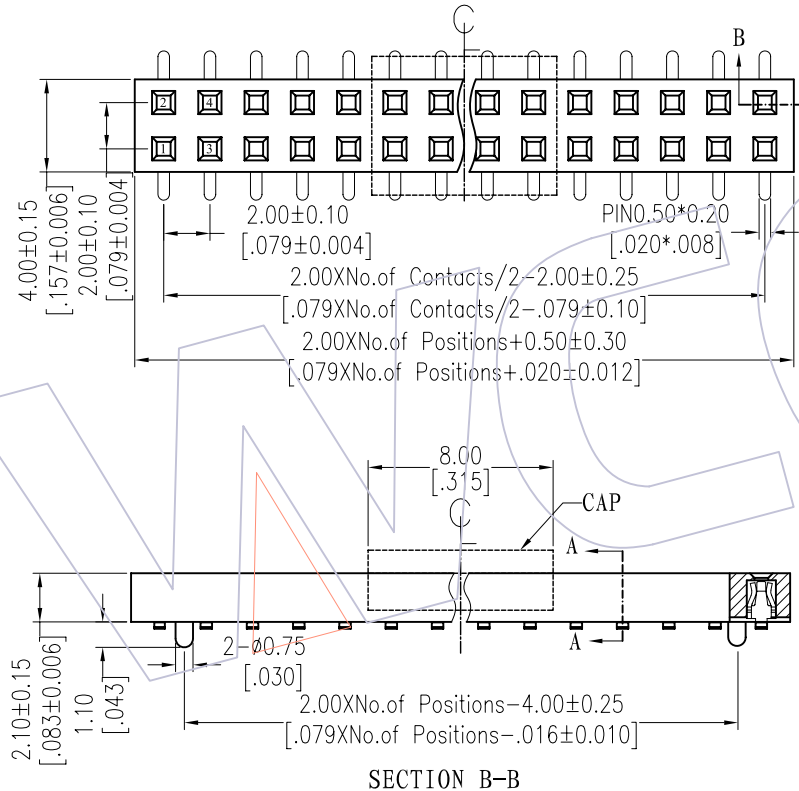
2221-2 XX M XX CUN T X

No. of Pins per Row: 02-40Pin

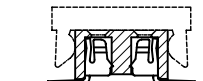
Contact Plating:
 G0=Gold Flash
 G3=10μ"Gold
 G4=15μ"Gold
 G5=30μ"Gold

Packing:
 T=Tube
 P=Tube+CAP
 R=Tape&Reel+CAP

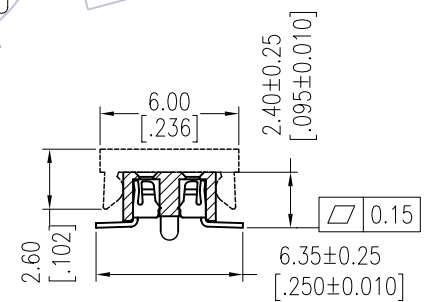
Series No.
 3=Type 1
 4=Type 2



2*2P ~ 2*4P



TYPE 1 W/O POST



TYPE 2 WITH POST
SECTION A-A

Item	Pitch	Mating
Standard	2.00	1215/1220
Alternate		

TITLE	PART NO.
TYPE 1	2221-2XXMXXCUNT3
TYPE 2	2221-2XXMXXCUNT4

REV	DATE	MODIFICATION DESCRIPTION	CHANGE	OPERATION	DRAW	DATE	SCALE	FIT	PART NO.
				x.X ±0.40	Wang	2012/10/29	UNIT	mm	SEE TABLE
A1	2012/10/29	Modify drawing	-----	x.XX ±0.25	CHECK	DATE	SIZE	A4	TITLE: FH2.00mm DUAL ROW 180° SMT H=2.1 W=6.35
AO	2012/07/12	NEW	-----	x.XXX ±0.15	APPROVE	DATE	SHEET	1/1	Customer NO.
				Angle ± 3'			PROJ.		
				DIM TOL					