

HSF

NOTES:

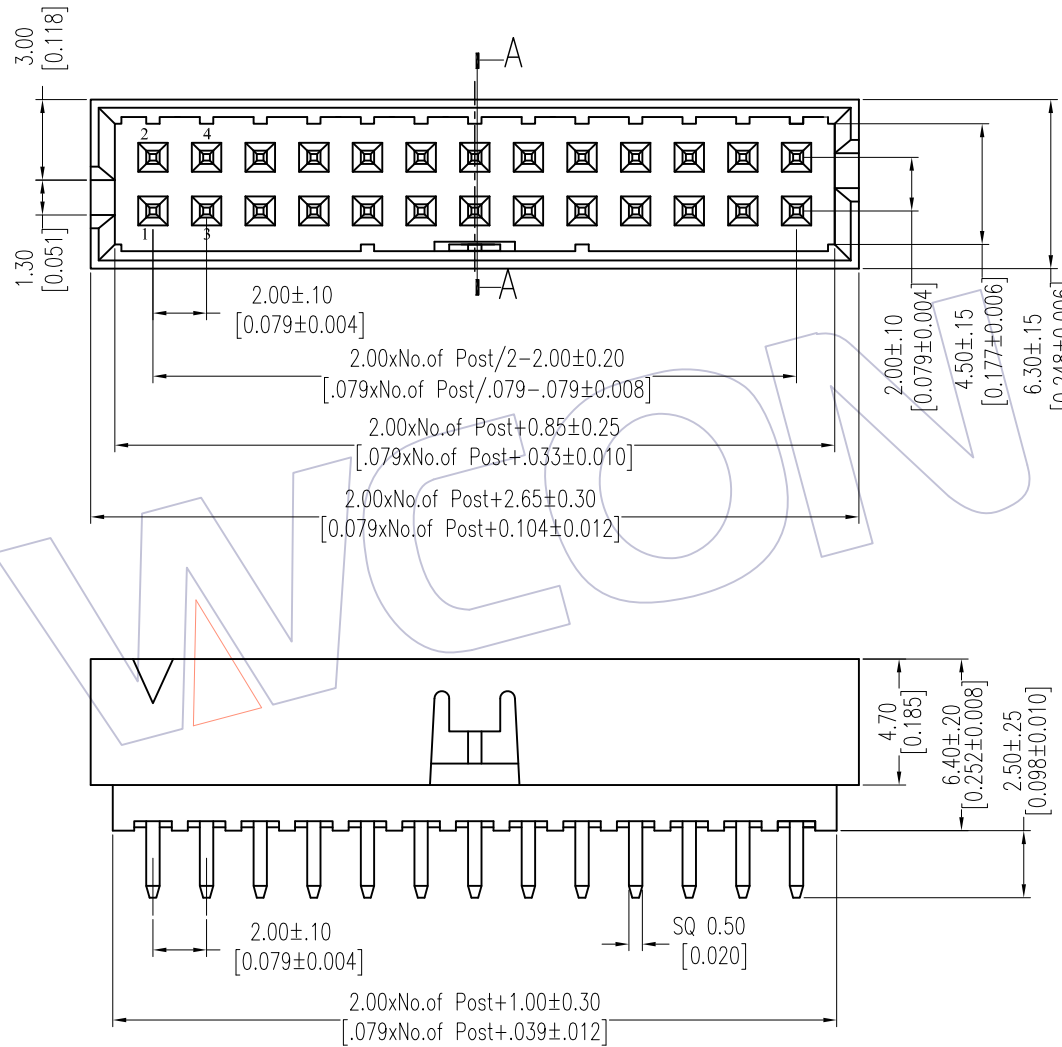
Current Rating: 2.0AMP
 Contact Resistance: 20mΩ Max
 Withstand Voltage: 500V AC/DC
 Insulation Resistance: 1000MΩ Min
 Operation Temperature: -40°C to +105°C

Contact Material: Brass
 Contact plating: Au Or Sn over Ni
 Insulator Material: PA9T+30%G.F UL94V-0

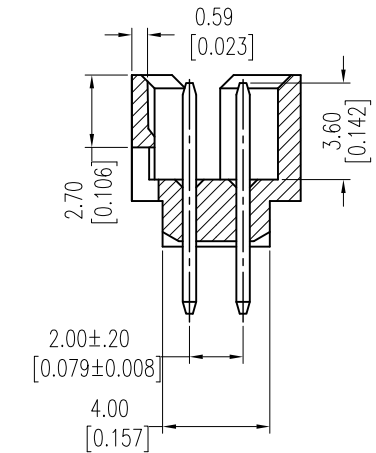
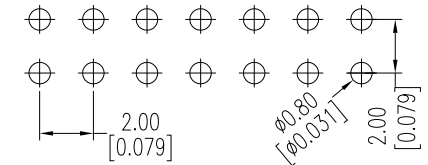
Ordering Information

3121B-XX S XX B K00 X 1

△ No. of Pins	Contact Plating	Color Insulator	Packing
8 26	G0=Gold Flash	B=Black	T=Tube
10 30	G3=10u"Gold		
14 34	G4=15u"Gold		
16 40	G5=30u"Gold		
20 44	S0=Gold Flash/Tin		
24 50	S3=10u"Gold/Tin		
	S4=15u"Gold/Tin		
	S5=30u"Gold/Tin		
	SN=Tin		



Recommended P.C.B Layout (Top Side)
 (PCB BOARD TOLERANCE ± 0.05)



Item	Pitch	Mating
Standard	2.00	5223
Alternate		

REV	DATE	MODIFICATION DESCRIPTION	CHANGE	OPERATION	DRAW	DATE	SCALE	FIT	PART NO.
				x.x ± 0.40	Allen	2015/08/27	UNIT	mm	3121B-XXSXXBK00X1
A1	2015/08/27	Modify	△	x.xx ± 0.25	CHECK	DATE	SIZE	A4	TITLE:
AO	2012/09/24	NEW	-----	x.xxx ± 0.15	APPROVE	DATE	SHEET	1/1	2.00 BOX HEADER 180° DIP
				Angle ± 3'			PROJ.	Customer NO.	H=6.4 With Middle Cut
				DIM TOL					