

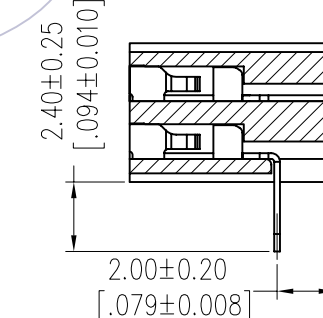
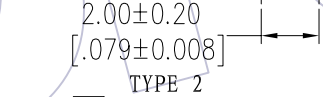
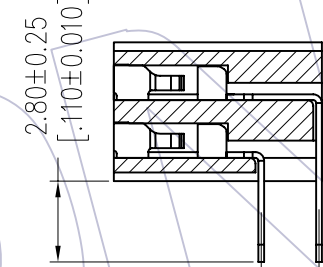
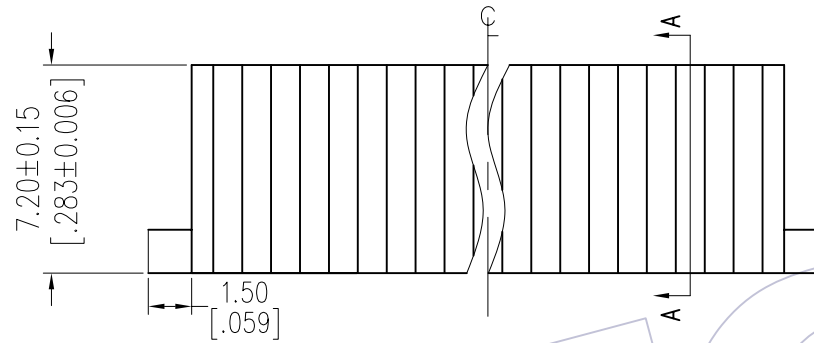
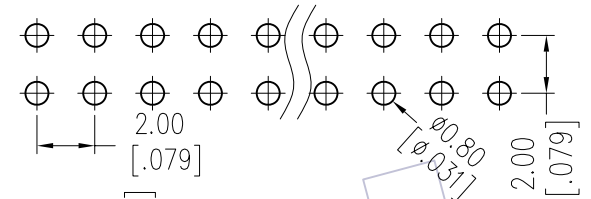
# HSF

**NOTES:**

Current Rating: 2.0AMP  
 Contact Resistance: 20mΩ Max  
 Withstand Voltage: 500V AC/DC  
 Insulation Resistance: 1000MΩ Min  
 Operation Temperature: -40°C to +105°C

Contact Material: Phosphor Bronze  
 Contact plating: Au over Ni  
 Insulator Material: PA9T+30%G.F UL94V-0

Recommended P.C.B Layout (Top Side)  
 (PCB BOARD TOLERANCE ±0.05)



TYPE 1  
SECTION A-A

## Ordering Information

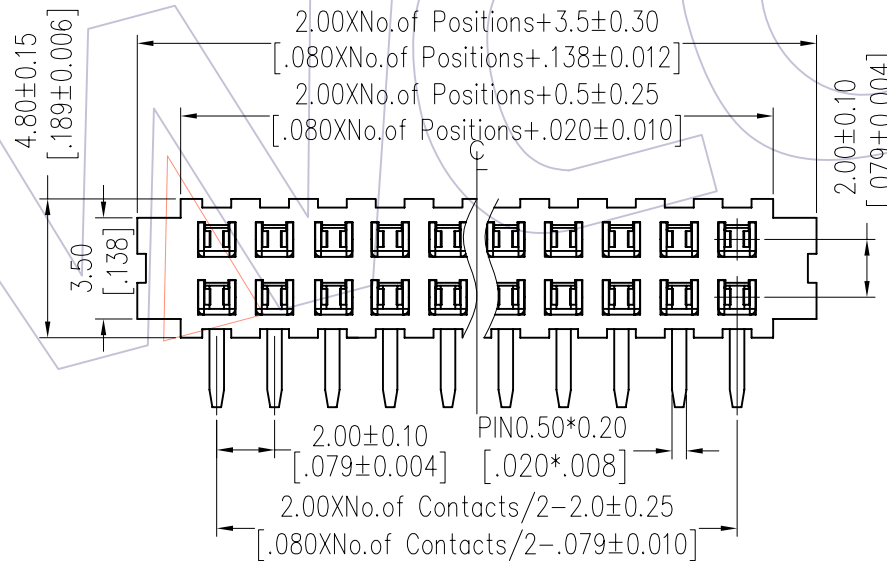
2272T-2 XX R XX CUN T X

No. of Pins per Row: 02-50Pin

Contact Plating:  
 G0=Gold Flash  
 G3=10μ"Gold  
 G4=15μ"Gold  
 G5=30μ"Gold  
 S0=Gold Flash/Tin  
 S3=10μ"Gold/Tin  
 S4=15μ"Gold/Tin  
 S5=30μ"Gold/Tin  
 SN=Tin  
 SM=Matte Tin

Packing:  
 T=Tube

Series No.  
 1=Type 1  
 2=Type 2



Item	Pitch	Mating
Standard	2.00	1215/1220
Alternate		

TITLE	PART NO.
TYPE 1	2272T-2XXRXXXUNT1
TYPE 2	2272T-2XXRXXXUNT2

REV	DATE	MODIFICATION DESCRIPTION	CHANGE	OPERATION	DRAW	DATE	SCALE	FIT	PART NO.
				X.X ±0.40	JYHuang	2012/07/19	UNIT	mm	SEE TABLE
				X.XX ±0.25	CHECK	DATE	SIZE	A4	TITLE: FH2.00mm DUAL ROW 90° DIP UP INSERT H=7.2 WITH PLUG
				X.XXX ±0.15			SHEET	1/1	Customer NO.
				Angle ± 3°	APPROVE	DATE	PROJ.		
				DIM TOL					