

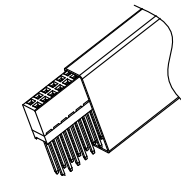
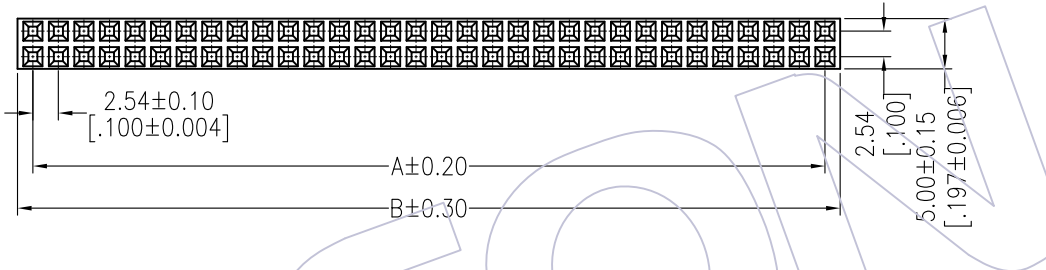
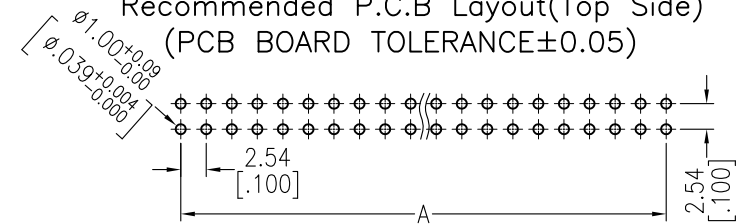
# HSF

NOTES:  
 Rated Current:3.0AMP  
 Rated Voltage:12V DC  
 Contact Resistance:30mΩ max  
 Withstand Voltage:1000V AC/DC  
 Insulation Resistance:5000MΩ min  
 Operation Temperature:-55°C to +105°C

Contact Material:Phosphor Bronze  
 Contact Plating:Au Over Ni  
 Insulator Material:PA9T+30%G.F UL94V-0



Recommended P.C.B Layout(Top Side)  
 (PCB BOARD TOLERANCE±0.05)



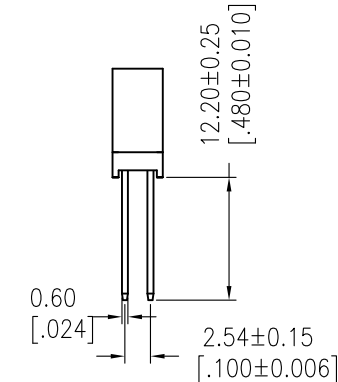
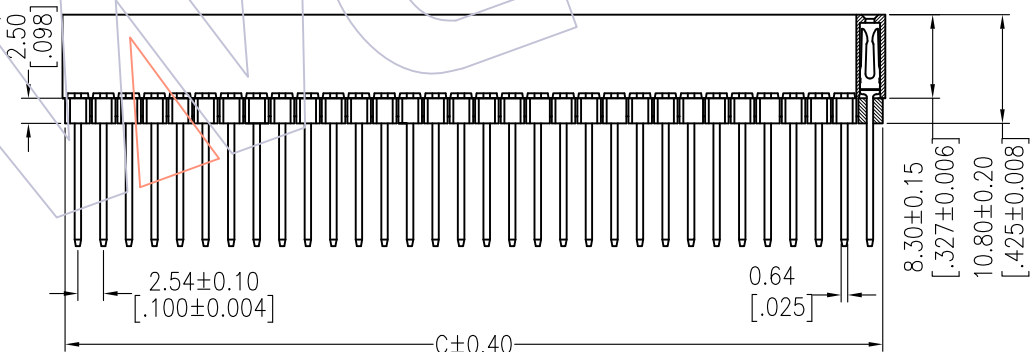
## Ordering Information

2183D-2 XX SXX CYN T1

No. of Pins per  
 20P  
 32P

Contact Plating:  
 G1=Fully 3u"Gold  
 G3=Fully 10u"Gold  
 G4=Fully 15u"Gold  
 H3=Mating 10u"Gold  
 Tail 3u"Gold  
 H4=Mating 15u"Gold  
 Tail 3u"Gold

Packing:  
 T=Tube



Item	Pitch	Mating
Standard	2.54	1125
Alternate		

ITEM	Dim A	Dim B	Dim C	Pcs/Tube
2*20P	48.26	51.30	50.80	11
2*32P	78.74	81.78	81.28	7

REV	DATE	MODIFICATION DESCRIPTION	CHANGE	OPERATION	DRAW	DATE	SCALE	FIT	PART NO.
A1	2014/02/05	Modify Material	-----	x.X ±0.40	Wang	2014/02/05	UNIT	mm	2183D-2XXSXXCYN T1
A0	2012/08/20	NEW	-----	x.XX ±0.25	CHECK	DATE	SIZE	A4	TITLE: 2.54 PC104 2*20P/2*32P 180° H=8.30+Housing Dip12.2
				x.XXX ±0.15	APPROVE	DATE	SHEET	1/1	Customer NO.
				Angle ± 3'			PROJ.		
				DIM TOL					