

HSF

TECHNICAL SPECS:

Current Rating: 3.0AMP
 Contact Resistance: 10mΩ Max
 Dielectric Strength: Min 1000VRMS
 Mechanical Life: Min 500 cycles
 Mating Pin: $\varnothing 0.7$ to $\varnothing 0.9$ mm or 0.635SQ
 Forces: (polished steel gauge $\varnothing 0.76$ mm)
 Insertion: 150g Max/Pin, Withdrawal: 30g Min/Pin
 Operation Temperature: -40°C to $+105^{\circ}\text{C}$

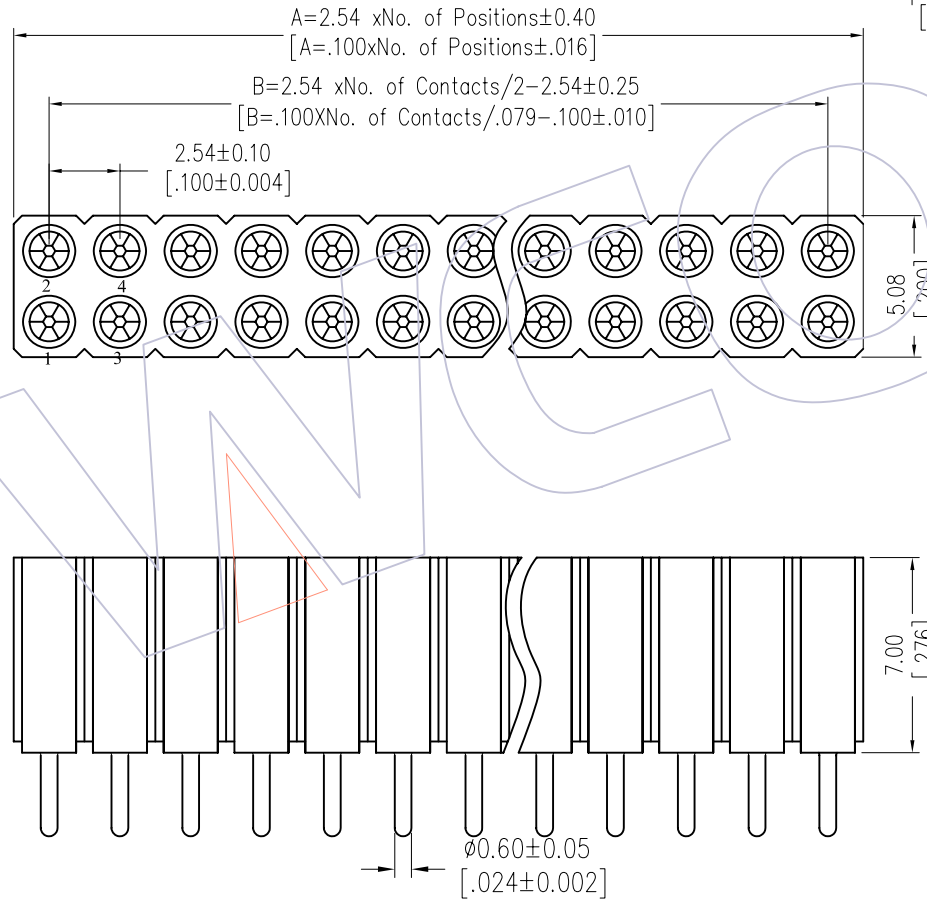
Sleeve: Brass CuZn36Pb3(C36000)
 Contact Clip(6 finger): BeCu(C17200)
 Insulator Material: PPS+30%G.F(UL94V-0)

Ordering Information

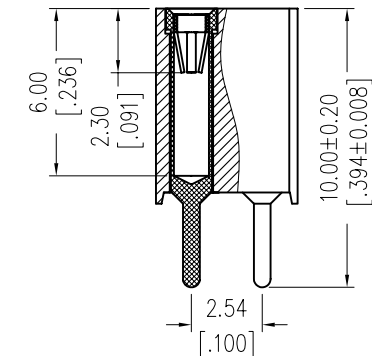
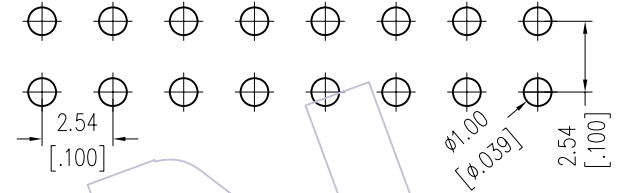
3521-702 XX S XX 100 X 1

No. of Pin 2~50PIN	Contact Plating S0=Gold Flash/Tin S3=10u"Gold/Tin S4=15u"Gold/Tin S5=30u"Gold/Tin SN=Tin	Packing A=Tray T=Tube
-----------------------	---	-----------------------------

Item	Pitch	Mating
Standard	2.54	3510
Alternate		



Recommended P.C.B Layout(Top Side)
 (PCB BOARD TOLERANCE ± 0.05)



REV	DATE	MODIFICATION DESCRIPTION	CHANGE	OPERATION	DRAW	DATE	SCALE	FIT	PART NO.
				x.x ±0.40	JYHuang	2012/10/18	UNIT	mm	3521-702XXSXX100X1
				x.xx ±0.25	CHECK	DATE	SIZE	A4	
				x.xxx ±0.15			SHEET	1/1	TITLE: 2.54mm MACHINED FEMALE HEADER DUAL ROW 180° H=7.00 L=10.0
				Angle ± 3°	APPROVE	DATE	PROJ.	Customer NO.	
				DIM TOL					