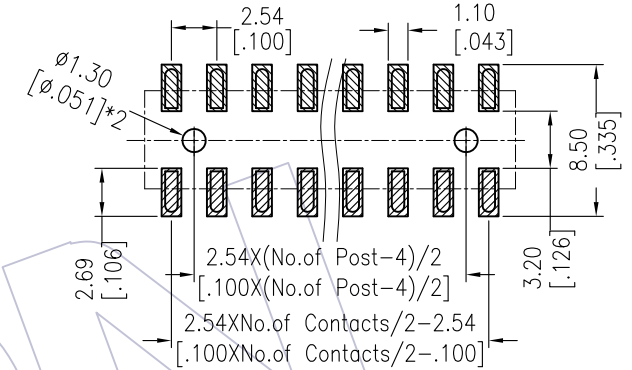
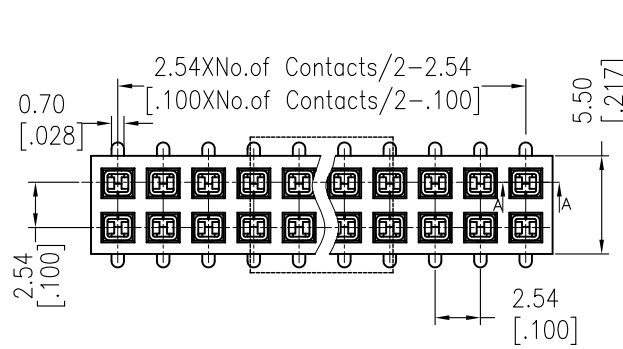


# HSF

NOTES:  
 Current Rating: 3.0AMP  
 Contact Resistance: 20mΩ Max  
 Withstand Voltage: 1000V AC/DC  
 Insulation Resistance: 1000MΩ Min  
 Operation Temperature: -40°C to +105°C

Contact Material: Phosphor Bronze  
 Contact plating: Au Or Sn over Ni  
 Insulator Material: PA9T+30%G.F UL94V-0

Recommended P.C.B Layout (Top Side)  
 (PCB BOARD TOLERANCE ±0.05)



## Ordering Information

2171T - 2 XX M XX GUN X X

No. of Pins per ROW: 02-40PIN

Contact Plating:

G0=Gold Flash

G3=10μ"Gold

G4=15μ"Gold

G5=30μ"Gold

S0=Gold Flash/Tin

S3=10μ"Gold/Tin

S4=15μ"Gold/Tin

S5=30μ"Gold/Tin

SN=Tin

SM=Matte Tin

Packing:

T=Tube

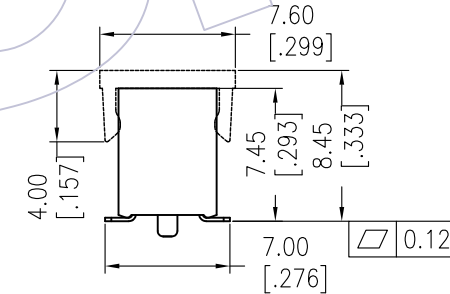
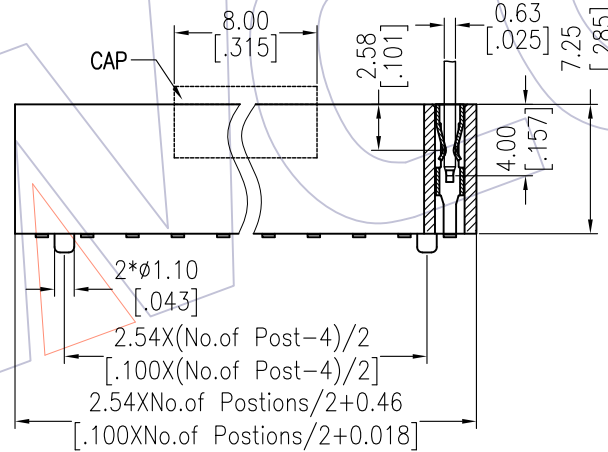
P=Tube+CAP

R=Tube&Reel+CAP

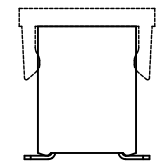
Series No.

1=TYPE 1

2=TYPE 2



TYPE 2 WITH POST



TYPE 1 W/O POST

Item	Pitch	Mating
Standard	2.54	1115/1120/1125
Alternate		

TITLE	PART NO.
TYPE 1	2171T-2XXMXXGUNX1
TYPE 2	2171T-2XXMXXGUNX2

REV	DATE	MODIFICATION DESCRIPTION	CHANGE	OPERATION	DRAW	DATE	SCALE	FIT	PART NO.
A1	2014/04/25	Modify drawing		x.x ±0.40	Wang	2014/04/25	UNIT	mm	SEE TABLE
A0	2012/08/13	NEW		x.xx ±0.25	CHECK		SIZE	A4	TITLE: FH2.54 DUAL ROW 180° SMT H=7.25
				x.xxx ±0.15	APPROVE		SHEET	1/1	Customer NO.
				Angle ± 3'			PROJ.		
				DIM TOL					