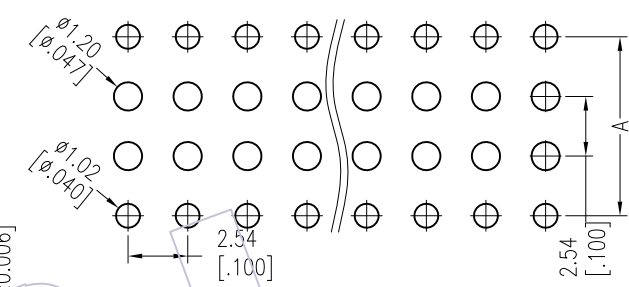
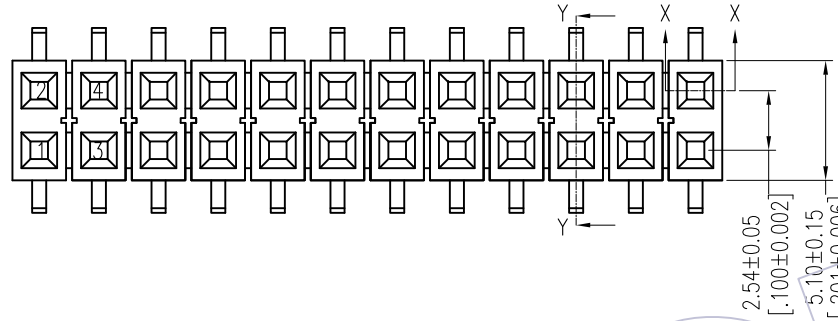


# HSF

NOTES:  
 Rated Current:3.0AMP  
 Contact Resistance:20mΩ max  
 Withstand Voltage:1000V AC/DC  
 Insulation Resistance:1000MΩ min  
 Operation Temperature:-40°C to +105°C

Contact Material:Phosphor Bronze  
 Contact Plating:Au Or Sn Over Ni  
 Insulator Material:LCP+30%G.F UL94V-0

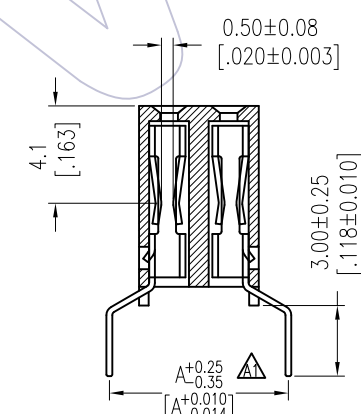
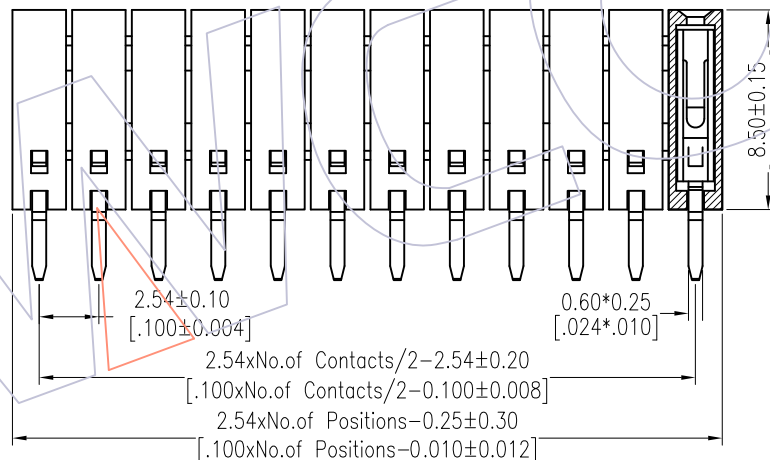
Recommended P.C.B Layout(Top Side)  
 (PCB BOARD TOLERANCE±0.05)



## Ordering Information

2185E-2 XX W XX DUN X X

No. of Pins per ROW:02-40PIN  
 Contact Plating:  
 G0=Gold Flash  
 G3=10μ"Gold  
 G4=15μ"Gold  
 G5=30μ"Gold  
 S0=Gold Flash/Tin  
 S3=10μ"Gold/Tin  
 S4=15μ"Gold/Tin  
 S5=30μ"Gold/Tin  
 SN=Tin  
 Packing:  
 T=Tube  
 Series No.



Section Y-Y

TITLE(DIM:A)	PART NO.
7.62	2185E-2XXWXXDUNT1
6.50	2185E-2XXWXXDUNT2
5.70	2185E-2XXWXXDUNT3

Item	Pitch	Mating
Standard	2.54	1115/1120/1125
Alternate		

REV	DATE	MODIFICATION DESCRIPTION	CHANGE	OPERATION	DRAW	DATE	SCALE	FIT	PART NO.
				x.X ±0.40	Wang	2013/11/08	UNIT	mm	2185E-2XXWXXXUNXX
A1	2013/11/08	△ Modify:A±0.25 → A <sup>+0.25</sup> <sub>-0.35</sub>	-----	x.XX ±0.25	CHECK	DATE	SIZE	A4	TITLE: FH2.54 Dual Row H=8.5 Provision Broken Centipede Foot
A0	2012/08/16	NEW	-----	x.XXX ±0.15	APPROVE	DATE	SHEET	1/1	
				Angle ± 3'			PROJ.	Customer NO.	