

HSF

Recommended P.C.B Layout (Top Side)
(PCB BOARD TOLERANCE ±0.05)

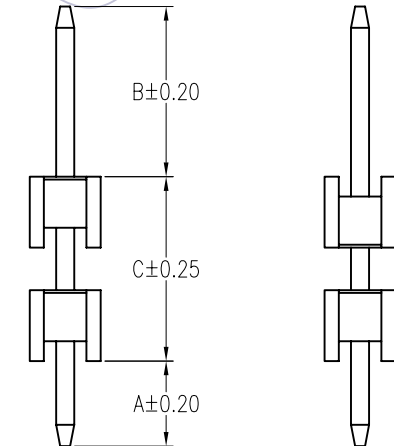
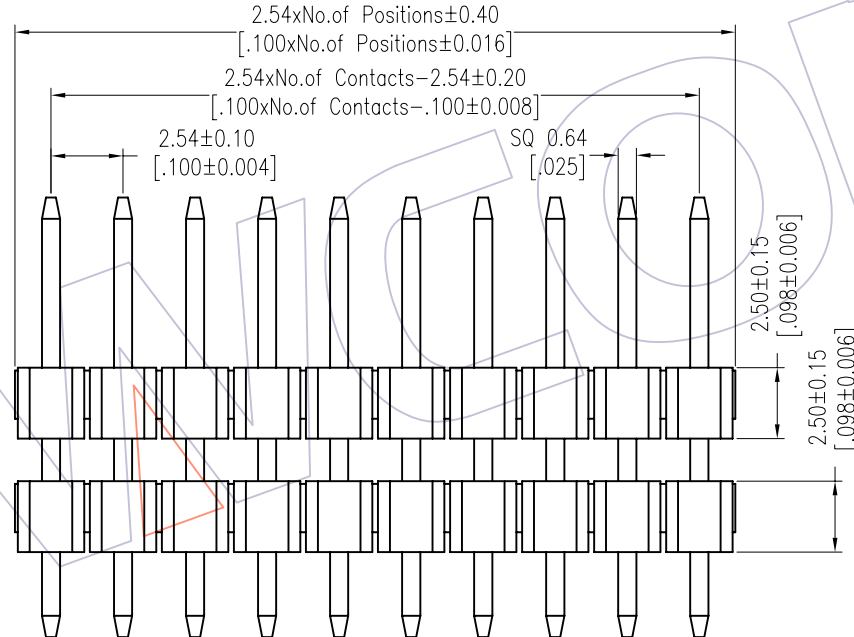
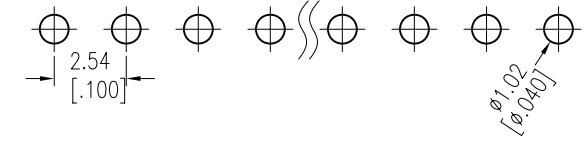
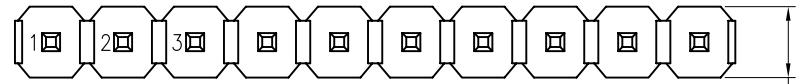
NOTES:
 Rated Current: 3.0AMP.
 Contact Resistance: 20mΩ Max.
 Withstand Voltage: 1000V AC/DC
 Insulation Resistance: 1000MΩ Min.
 Operation Temperature: -40°C to +105°C

Contact Material: Brass
 Contact Plating: Au or Sn Over Ni
 Insulator Material: PBT+30%G.F UL94V-0 BK(std)
 or PA9T+30%G.F UL94V-0 BK

Ordering Information

1125-21 XX XX S XXX X X

| | | | | |
|-------------|-------------------|------------|----------|------------|
| No. of Pins | Contact Plating | Pin Length | Packing | Series No. |
| 02-40 | G0=Gold Flash | L=A+B+C | 0=PE Bag | 1=Type 1 |
| | G3=10u"Gold | Standard: | T=Tube | 2=Type 2 |
| | G4=15u"Gold | | | |
| | G5=30u"Gold | | | |
| | S0=Gold Flash/Tin | | | |
| | S3=10u"Gold/Tin | | | |
| | S4=15u"Gold/Tin | | | |
| | S5=30u"Gold/Tin | | | |



TYPE 1

TYPE 2

| Item | Pin Length | A | B | C | Mating |
|-----------|------------|------|------|-----|-----------|
| Standard | --- | 3.00 | 6.00 | --- | 2171 2185 |
| Alternate | | | | | |

| OPERATION | DRAW | DATE | SCALE | Fit | PART NO. |
|-------------|--------------|------------|-----------|-----|---|
| X.X ±0.40 | William Chen | 2012.05.17 | UNIT mm | | 1125-21XXXXSXXXXX |
| X.XX ±0.25 | CHECK | DATE | SIZE A4 | | TITLE: PH2. 54 SINGLE ROW DOUBLE PLASTIC 180° H=2.5 |
| X.XXX ±0.15 | APPROVE | DATE | SHEET 1/1 | | Customer NO. |
| Angle ± 3' | | | PROJ. | | |
| DIM TOL | | | | | |

WCON
 Http: www.wcon.com

WCON-Dongguan
 Tel: +86 769 85358920
 Fax: +86 769 85358915
 E-mail: sales@wcon.com

WCON-Kunshan
 Tel: +86 512 57468408
 Fax: +86 512 57468468
 E-mail: sales@wcon.com