

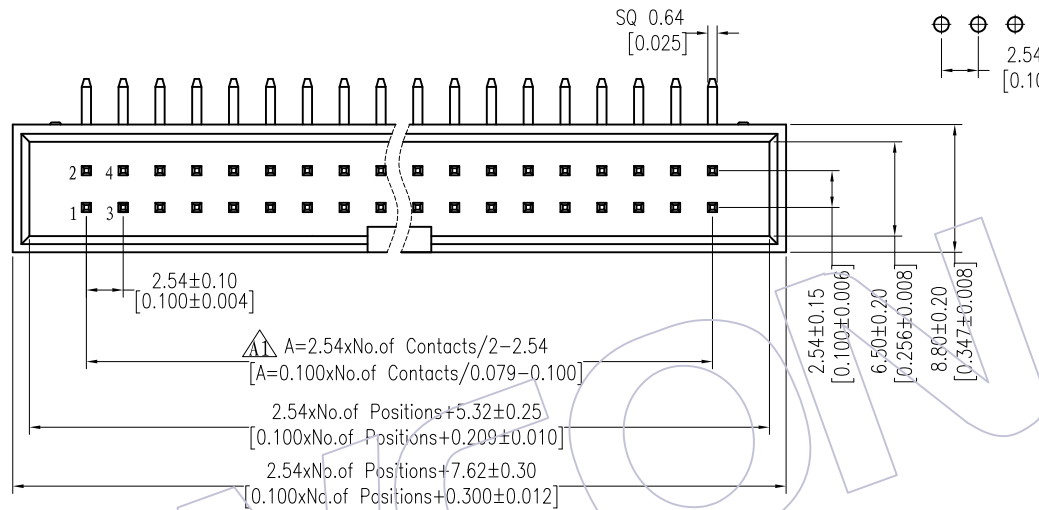
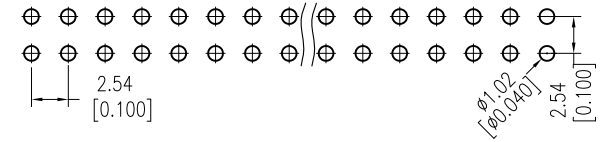
# HSF

**NOTES:**

Current Rating:3AMP  
 Contact Resistance:20mΩ max  
 Withstand Voltage:500V AC/DC  
 Insulation Resistance:1000MΩ min  
 Operation Temperature:-40℃ to +105℃

Contact Material:Brass  
 Contact plating:Au or Sn Over Ni  
 Insulator Material:PBT+30%G.F(UL94V-0)

Recommended P.C.B Layout(Top Side)  
 (PCB BOARD TOLERANCE±0.05)



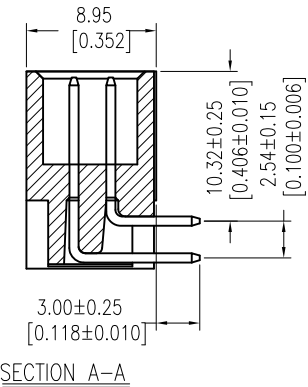
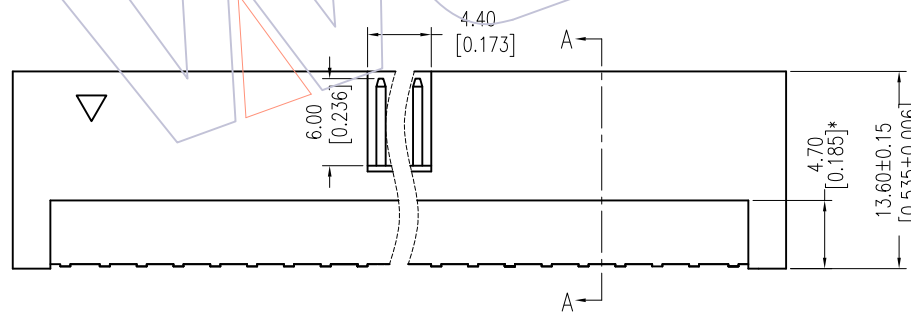
## Ordering Information

3112-XX R XX B K00 X 1

No.of Pins	Contact Plating	Color Insulator	Packing:
10P 30P	G0=Gold Flash	B=Black	A=Tray
14P 34P	G1=3u"Gold	U=blue	T=Tube
16P 40P	G2=5u"Gold	G=Gray(427C)	
20P 50P	G3=10u"Gold	E=Gray(413C)	
24P 60P	G4=15u"Gold		
26P 64P	G5=30u"Gold		
	S0=Gold Flash/Tin		
	S1=3u"Gold/Tin		
	S2=5u"Gold/Tin		
	S3=10u"Gold/Tin		
	S4=15u"Gold/Tin		
	S5=30u"Gold/Tin		
	SN=Tin		

A (TOLERANCE)

ITEM	≤ 20P	> 20P
A	± 0.20	± 0.30



				OPERATION	DRAW	DATE	SCALE	FIT	PART NO.
A2	2014/05/05	MODIFY		X.X ±0.40	Allen	2014/05/05	UNIT	mm	3112-XXXXXBK00X1
A1	2012/05/10	MODIFY		X.XX ±0.25	CHECK	DATE	SIZE	A4	TITLE:
A0	2008/05/08	NEW	—	X.XXX ±0.15	APPROVE	DATE	SHEET	1/1	2.54 BOX HEADER 90° H=13.6
REV	DATE	MODIFICATION DESCRIPTION	CHANGE	Angle ± 3'			PROJ.		Customer NO.
				DIM TOL					