


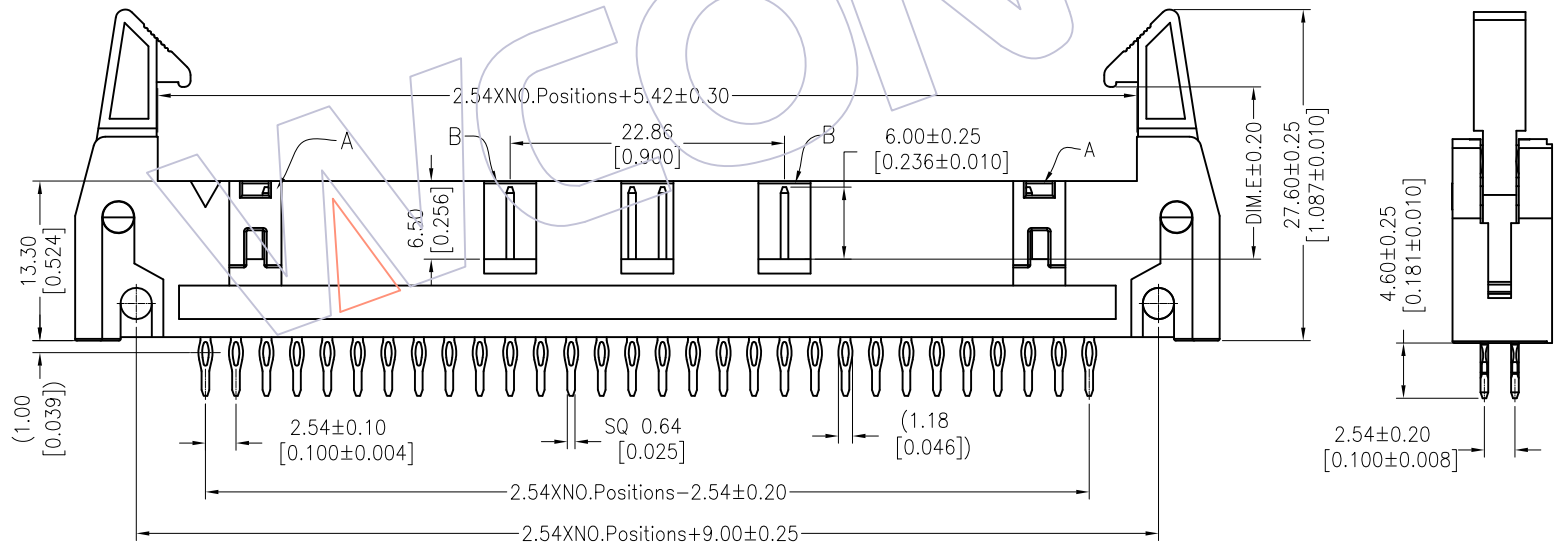
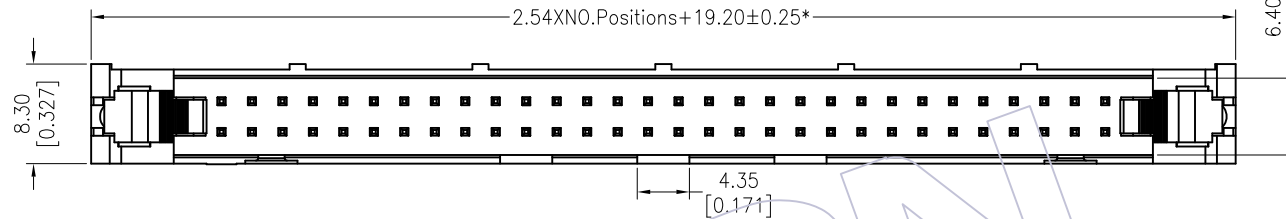
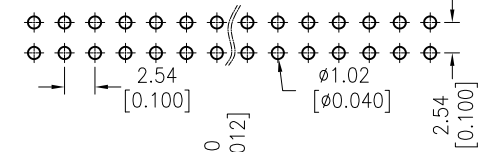
HSF

NOTES:
 Rated Current:3.0AMP
 Contact Resistance:20mΩ max
 Withstand Voltage:500V AC/DC
 Insulation Resistance:1000MΩ min
 Operation Temperature:-40°C to +105°C

Housing Material:PBT+30%GF(UL94V-0)
 Latch Material:PBT+30%GF(UL94V-0)
 Contact Material:Brass
 Contact plating:Au or Sn over Ni Plated

10P-18P Without Slot "A" and "B"
 20P-58P With Slot "A", Without Slot "B",
 60P-64P With Slot "A" and "B" 

Recommended P. C. B Layout (Top Side)
 (PCB BOARD TOLERANCE ± 0.05 T=1.6/2.0)





Ordering Information

3210 - XX P XX B X X 1

No. of Pins	Contact Plating	Insulator Color	Latch Type	Packing
10 34	S0=Gold Flash/Tin	B=Black	L=Long Latch	T=Tube
14 40	S1=3u"Gold/Tin		S=Short Latch	A=Tray
16 50	S2=5u"Gold/Tin			
20 60	S3=10u"Gold/Tin			
26 64	S4=15u"Gold/Tin			
30	S5=30u"Gold/Tin			
	SN=Tin			

PART NO.	DIM.E
3210-XXPXXBLX1	14.35
3210-XXPXXBSX1	10.60

REV	DATE	MODIFICATION DESCRIPTION	CHANGE	OPERATION	DRAW	DATE	SCALE	FIT	PART NO.
A1	2014/05/26	Modify		X.X ±0.40	Allen	2014/05/26	UNIT	mm	3210-XXPXXBXX1
A0	2013/11/14	NEW	—	X.XX ±0.25	CHECK	DATE	SIZE	A4	
				X.XXX ±0.15	APPROVE	DATE	SHEET	1/1	TITLE: 2.54mm EJECTOR HEADER PRESS FIT DIP TYPE
				Angle ± 3'			PROJ.		Customer NO.
				DIM TOL					