

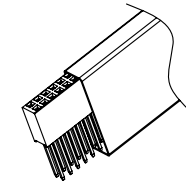
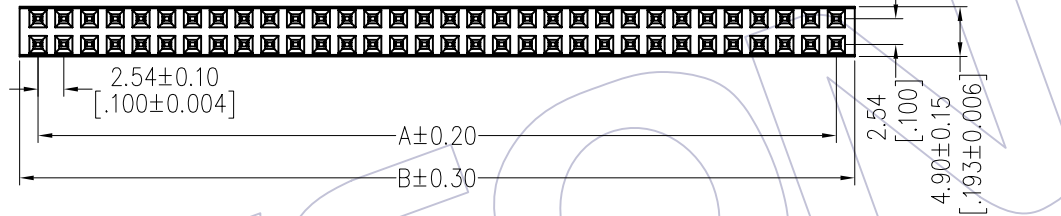
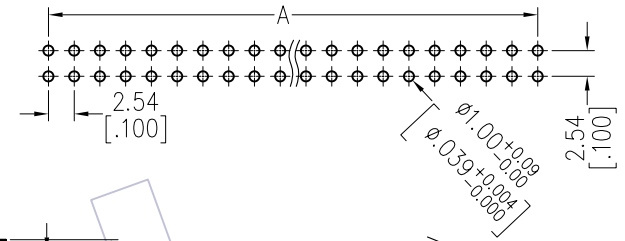
HSF

NOTES:

Rated Current: 3.0AMP
 Rated Voltage: 12V DC
 Contact Resistance: 30mΩ max
 Withstand Voltage: 1000V AC/DC
 Insulation Resistance: 5000MΩ min
 Operation Temperature: -55°C to +105°C

Contact Material: Phosphor Bronze
 Contact Plating: Au Over Ni
 Insulator Material: PPS+30%G.F UL94V-0

Recommended P.C.B Layout (Top Side)
 (PCB BOARD TOLERANCE ±0.05)



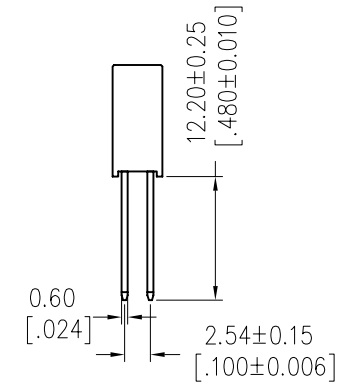
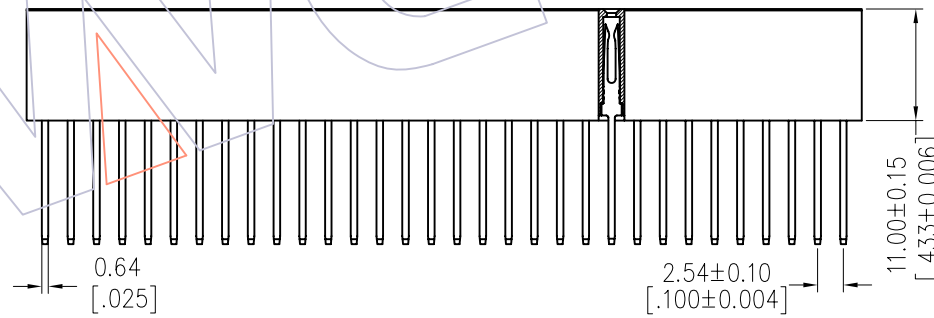
Ordering Information

2111A-2 XX SXX FYNT1

No. of Pins per
20P
32P

Contact Plating:
 G1=Fully 3u"Gold
 G3=Fully 10u"Gold
 G4=Fully 15u"Gold
 H3=Mating 10u"Gold
 Tail 3u"Gold
 H4=Mating 15u"Gold
 Tail 3u"Gold

Packing:
T=Tube



Item	Pitch	Mating
Standard	2.54	1115/1120/1125
Alternate		

ITEM	Dim A	Dim B	Pcs/Tube
2*20P	48.26	51.90	11
2*32P	78.74	82.38	7

REV	DATE	MODIFICATION DESCRIPTION	CHANGE	OPERATION	DRAW	DATE	SCALE	FIT	PART NO.
				x.x ±0.40	JYHuang	2012/08/20	UNIT	mm	2111A-2XXSXXFYNT1
				x.xx ±0.25	CHECK	DATE	SIZE	A4	
				x.xxx ±0.15			SHEET	1/1	TITLE: 2.54 PC104 2*20P/2*32P 180° H=11.0 DIP=12.2
				Angle ± 3'	APPROVE	DATE	PROJ.		Customer NO.
				DIM TOL					