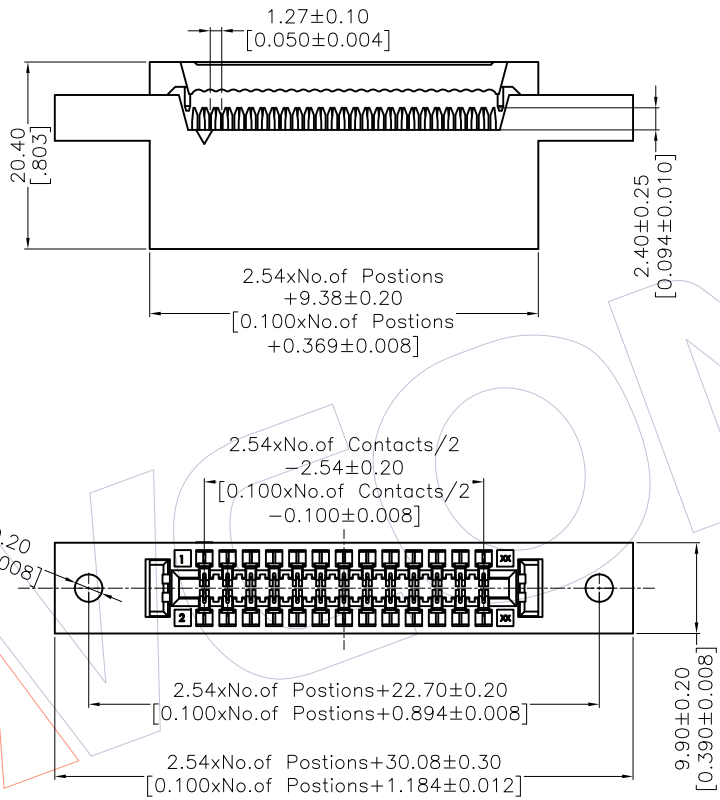


# HSF

NOTES:  
 Current Rating:1.0A AMP  
 Contact Resistance:20milliohm Max  
 Withstand Voltage:500V AC/Minute  
 Insulation Resistance:1000Megohm Min  
 Operation Temperature:-40°C to +105°C

Housing Material:PBT+30%GF(UL94V-0)  
 Contact Material:Copper alloy  
 Contact plating:Au/Sn over Ni Plating



## Ordering Information

**5 2 6 0 - X X B P X X B W A 1**

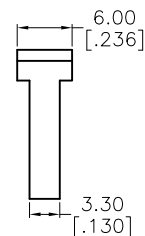
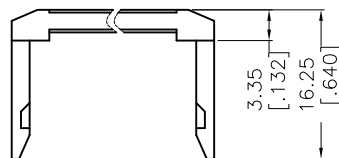
No. of Pins: 10-60P  
 Type: A=With Clapboard, B=Without Clapboard

Contact Plating:  
 S0=Gold Flash/Ni  
 S1=3u"Gold/Ni  
 S2=5u"Gold/Ni  
 S3=10u"Gold/Ni  
 S4=15u"Gold/Ni  
 S5=30u"Gold/Ni

Color:  
 B=Black  
 U=Blue  
 G=Grey(427C)

Packing:  
 A=Tray  
 T=Tube

SR P/N:G5260-XXCAB01



				OPERATION		DRAW		DATE		SCALE		PART NO.	
				X.X	±0.40	HYH		2011.12.20		UNIT	1:1	5260-XXBPXXBWA1	
				X.XX	±0.25	CHECK		DATE		SIZE	A4	TITLE:	
				X.XXX	±0.15	APPROVE		DATE		SHEET	1/1	2.54mm Card Edge Connector	
REV	DATE	MODIFICATION DESCRIPTION		CHANGE	Angle	± 3'			PROJ.		Customer NO.		
					DIM	TOL							
A1	2013.07.16	Add SR Parts		YSH									
A0	2011.12.20	NEW		-									