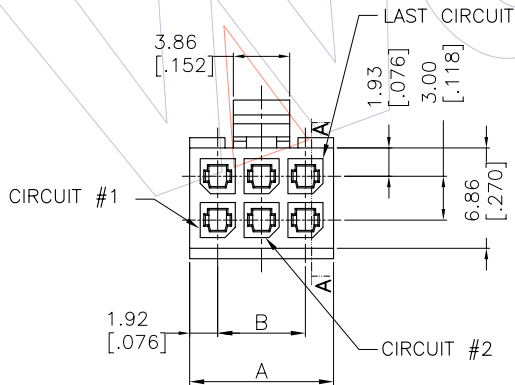
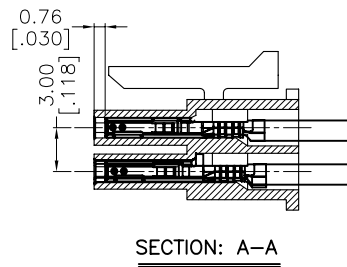
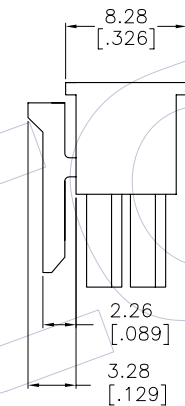
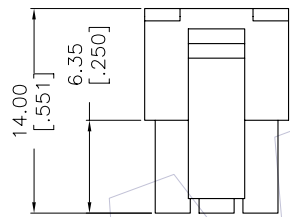
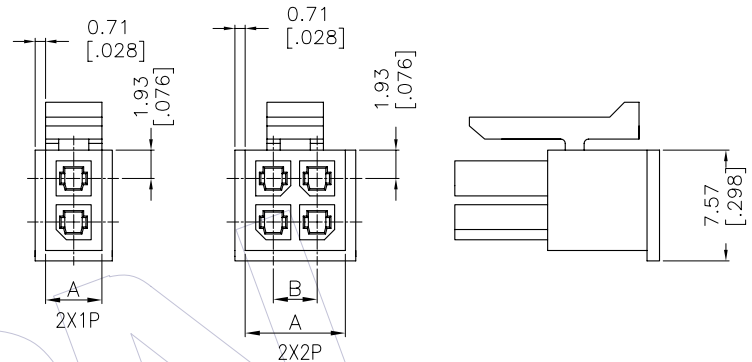
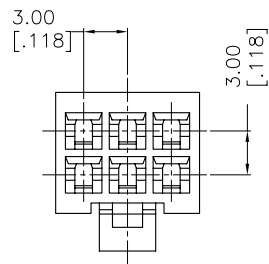


HSF

NOTES:
 Current Rating: 5.0 AMP
 Voltage Rating: 250V AC/DC
 Temperature Range: -25°C to +85°C
 Contact Resistance: 10mΩ Max.
 Insulation Resistance: 1000MΩ Min.
 Withstanding Voltage: 1000V AC/Minute
 Material: PA66(UL94V-0)
 Color: Black



CIRCUIT	Part No.	A	B
2X1	WF3001-2H01B01	3.86[0.152]	NA
2X2	WF3001-2H02B01	6.85[0.270]	3.00[0.118]
2X3	WF3001-2H03B01	9.85[0.388]	6.00[0.236]
2X4	WF3001-2H04B01	12.85[0.506]	9.00[0.354]
2X5	WF3001-2H05B01	15.85[0.624]	12.00[0.472]
2X6	WF3001-2H06B01	18.85[0.742]	15.00[0.591]
2X7	WF3001-2H07B01	21.85[0.860]	18.00[0.709]
2X8	WF3001-2H08B01	24.85[0.978]	21.00[0.827]
2X9	WF3001-2H09B01	27.85[1.096]	24.00[0.945]
2X10	WF3001-2H10B01	30.85[1.215]	27.00[1.063]
2X11	WF3001-2H11B01	33.85[1.333]	30.00[1.181]
2X12	WF3001-2H12B01	36.85[1.451]	33.00[1.299]

Ordering Information

WF3001-2H XX B 01

Terminal Shape
H:HOUSING

No.of Pins
02-12P

Colour:
B:Black

REV	DATE	MODIFICATION DESCRIPTION	CHANGE	OPERATION	DRAW	DATE	SCALE	PART NO.	WCON
A0	2012.06.12	NEW	Sam	X.X ±0.40	Sam	2012.06.12	1:1	WF3001-2HXXB01	
				X.XX ±0.25	CHECK	DATE	UNIT mm inch	TITLE:	
				X.XXX ±0.15	APPROVE	DATE	SIZE A4	3.00 mm DUAL ROW HOUSING	
				Angle ± 3°			SHEET 1/1	Customer NO.	
				DIM TOL			PROJ.		