

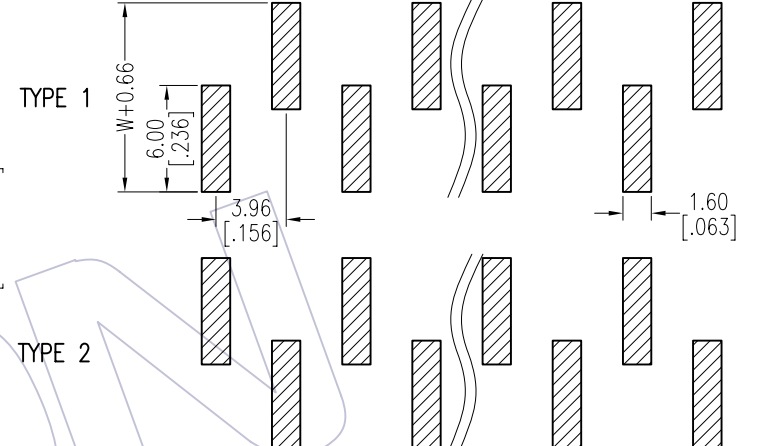
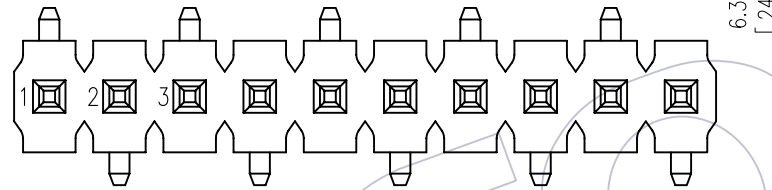
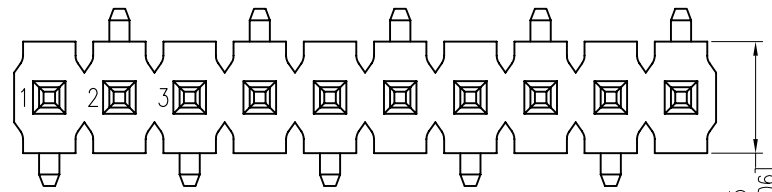
HSF

NOTES:

Rated Current:7.0AMP.
 Contact Resistance:20mΩ Max.
 Withstand Voltage:1000V AC/DC
 Insulation Resistance:1000MΩ Min.
 Operation Temperature:-40°C to +105°C

Contact Material:Brass
 Contact Plating:Sn Over Ni
 Insulator Material:LCP+30%G.F UL94V-0 BK

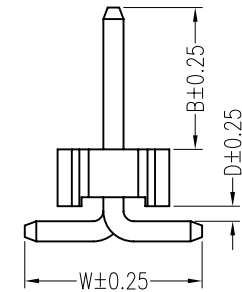
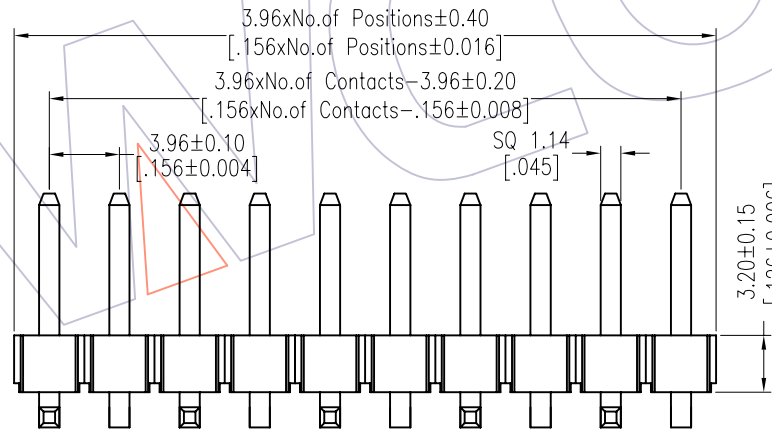
Recommended P.C.B Layout (Top Side)
 (PCB BOARD TOLERANCE±0.05)



Ordering Information

1832-11 XX XX M XXX X X

No. of Pins Contact Plating Pin Length Packing Series No.
 02-20 SN=Tin L=B+D+3.2+ $\frac{W}{2}$ T=Tube 1=Type 1
 Standard:17.0 2=Type 2



Item	Pin Length	W	D	B	Mating
Standard	17.00	10.00	0.85	8.00	2889
Alternate					

REV	DATE	MODIFICATION DESCRIPTION	CHANGE	OPERATION	DRAW	DATE	SCALE	FIT	PART NO.
				X.X ±0.40	William Chen	2012.06.25	UNIT mm		1832-11XXXXMXXXXX
				X.XX ±0.25	CHECK	DATE	SIZE A4		TITLE: PH3.96 SINGLE ROW SMT H=3.2
				X.XXX ±0.15	APPROVE	DATE	SHEET 1/1		Customer NO.
				Angle ± 3'			PROJ.		
				DIM TOL					