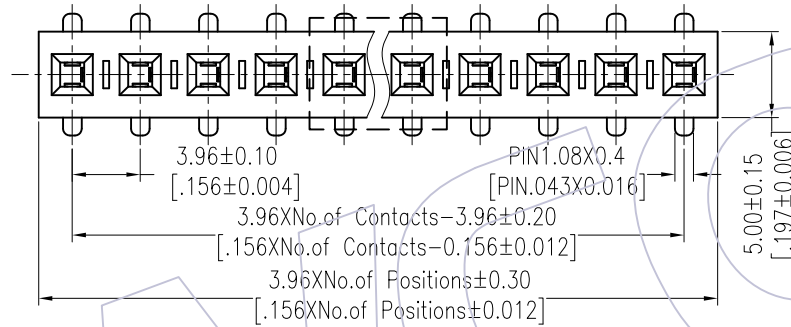
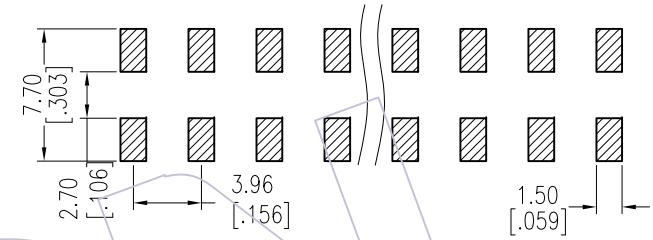


HSF

NOTES:
 Rated Current:7.0AMP
 Contact Resistance:30mΩ max
 Withstand Voltage:1000V AC/DC
 Insulation Resistance:1000MΩ min
 Operation Temperature:-40°C to +105°C

Contact Material:Phosphor Bronze
 Contact Plating:Sn Over Ni
 Insulator Material:LCP+30%G.F UL94V-0

Recommended P.C.B Layout(Top Side)
 (PCB BOARD TOLERANCE±0.05)



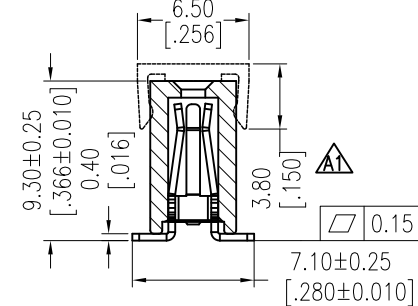
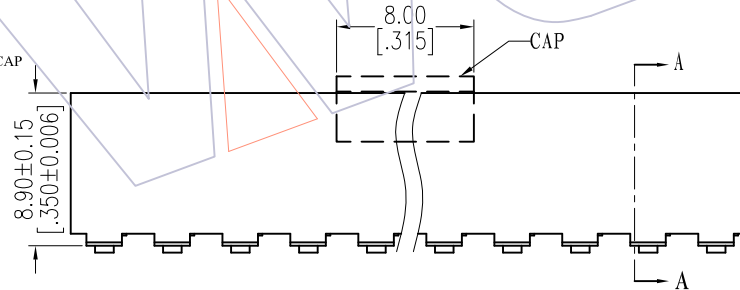
Ordering Information

2889-1 XX M XX D UN T 1

No.of Pins per Row: 02-30Pin

Contact Plating:
 SN=Tin
 SM=Matte Tin

Packing:
 T=Tube
 P=Tube+CAP
 R=Tube&Reel+CAP



Item	Pitch	Mating
Standard	3.96	1832
Alternate		

REV	DATE	MODIFICATION DESCRIPTION	CHANGE	OPERATION		DRAW	DATE	SCALE	FIT	PART NO.
				X.X	±0.40					
A1	2013/06/17	Modify CAP 4.30 → 3.80	-----	X.XX	±0.25	CHECK	DATE	SIZE	A4	2889-1XXMXXDUNT1 TITLE: FH3.96 SINGLE ROW 180° SMT H=8.9
A0	2012/08/18	NEW	-----	X.XXX	±0.15	APPROVE	DATE	SHEET	1/1	
				Angle	± 3'			PROJ.	☉	Customer NO.
				DIM	TOL					