

HSF

NOTES:
 Rated Current:6.0AMP
 Contact Resistance:18mΩ max
 Withstand Voltage:1500V AC/DC
 Insulation Resistance:1000MΩ min
 Operation Temperature:-40℃ to +105℃

Contact Material:Phosphor Bronze
 Contact Plating:MATTE TIN PLATED OVER NICKEL
 Insulator Material:LCP+30%G.F UL94V-0 BLACK OR WHITE

Ordering Information

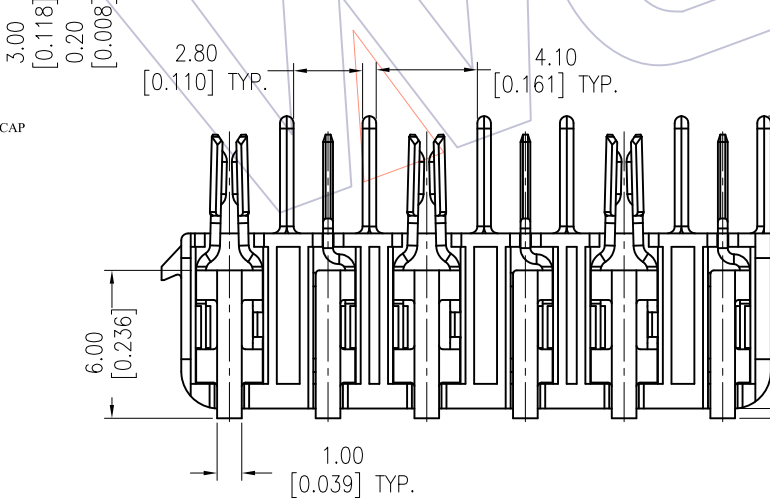
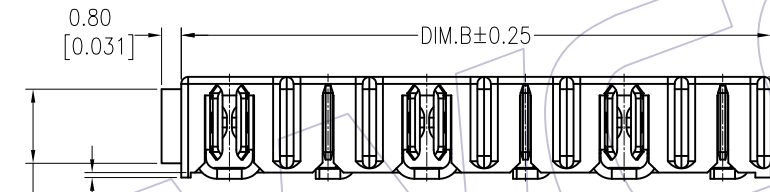
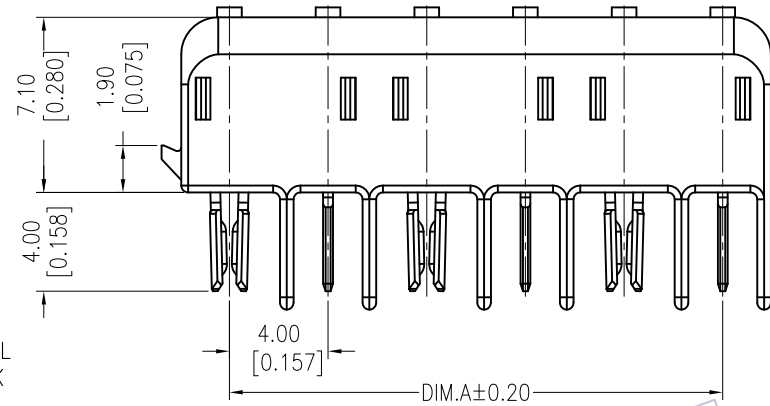
L400- X -XX Z 413 X R 02

No.of Pins
 02
 04
 06

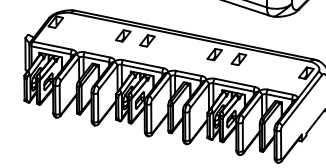
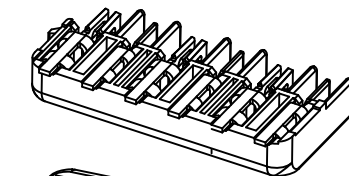
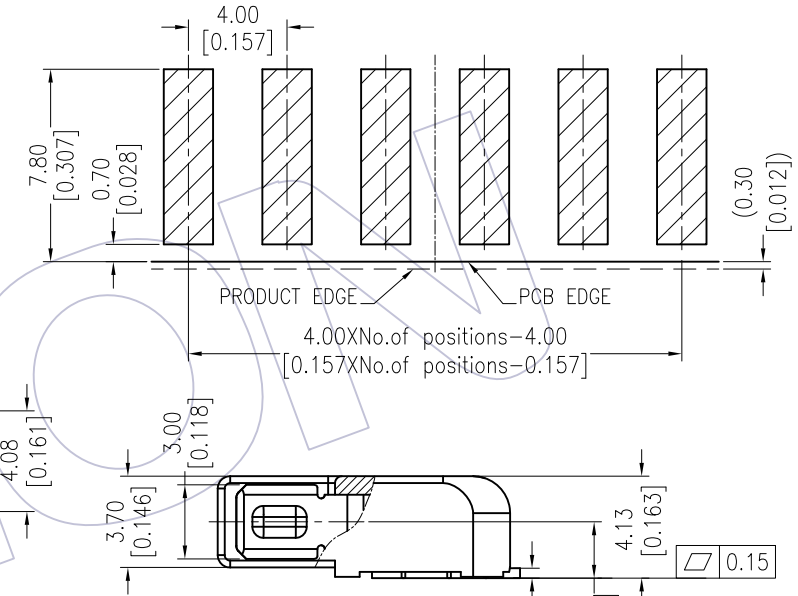
Contact Plating
 SM=Matte Tin

Color Insulator
 B=Black
 W=White

Packing
 T=Tube
 P=Tube+CAP
 R=Tape&Reel+CAP



Recommended P.C.B Layout (Top Side) (PCB BOARD TOLERANCE ± 0.05)



3D VIEW(REF.)
 SCALE 1:1

No.Of PIN	DIM.A	DIM.B
02	4.00	7.90
04	12.00	15.90
06	20.00	23.90

REV	DATE	MODIFICATION DESCRIPTION	CHANGE	OPERATION		DRAW	DATE	SCALE	FIT	PART NO.
				DIM	TOL					
A0	2014/09/04	NEW	----	X.X	±0.40	Huang	2014/09/04	UNIT	mm	L400-X-XXZ413XR02
				X.XX	±0.25	CHECK	DATE	SIZE	A4	TITLE:
				X.XXX	±0.15	APPROVE	DATE	SHEET	1/1	4.00 PITCH SMT HERMAPHRODITIC BLADE AND RECEPTACLE
				Angle	± 3'			PROJ.	⌀	Customer NO.