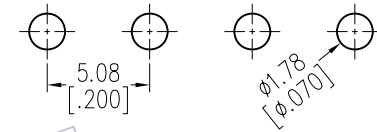
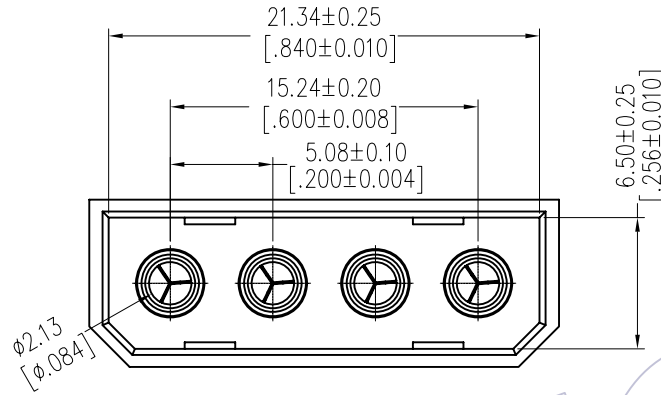


HSF

Recommended P.C.B Layout(Top Side)
(PCB BOARD TOLERANCE±0.05)

NOTES:
 Rated Current: 5.0A
 Contact Resistance: 10mΩ max
 Withstand Voltage: 1500V AC/Minute
 Insulation Resistance: 1000MΩ min
 Operation Temperature: -25°C to+85°C

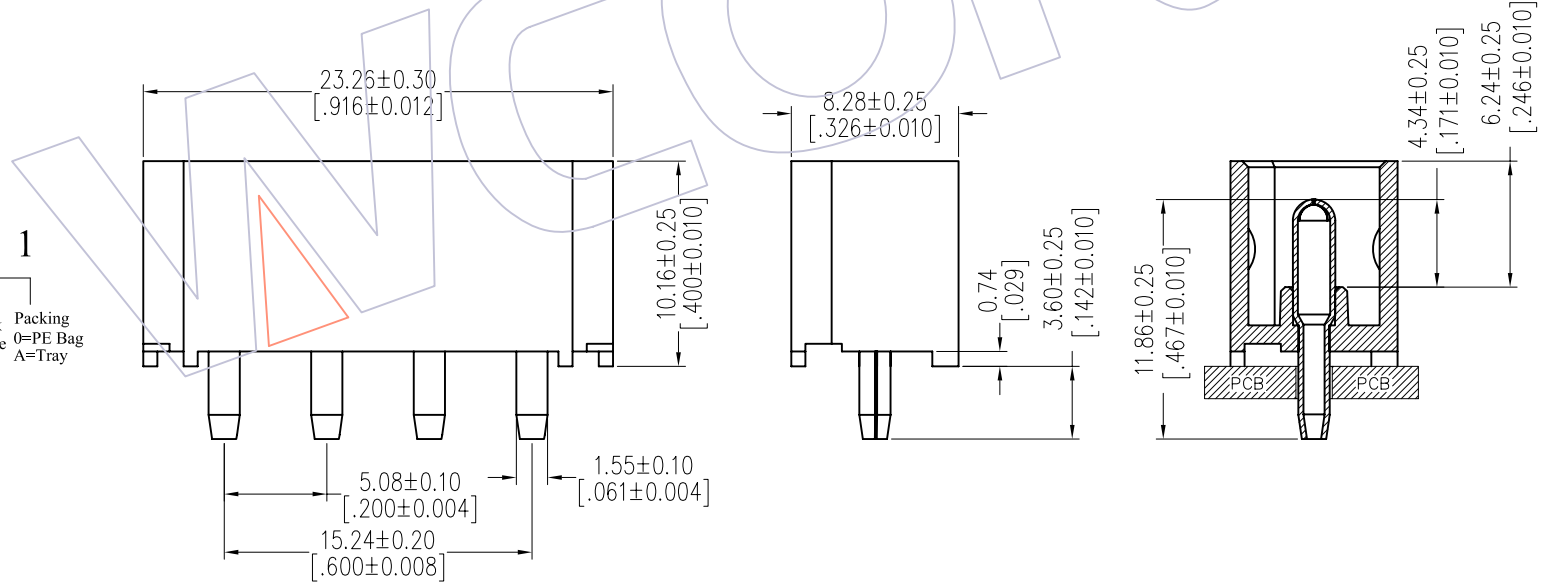
Contact Material: Brass
 Contact plating: Au or Sn over Ni
 Insulator Material: PA66



Ordering Information

WF5084 -WS 04 W 0 1

No.of pins
 Contact Plating
 S0=Gold Flash/Tin
 S3=10u"Gold/Tin
 S4=15u"Gold/Tin
 S5=30u"Gold/Tin
 G0=Gold Flash
 G3=10u"Gold
 G4=15u"Gold
 G5=30u"Gold
 Blank=Tin
 Color
 B=Black
 W=White
 Packing
 0=PE Bag
 A=Tray



				OPERATION	DRAW	DATE	SCALE	FIT	PART NO.
				X.X ±0.40	JYHuang	2012/09/18	UNIT	mm	WF5084-WS04W01
				X.XX ±0.25	CHECK	DATE	SIZE	A4	TITLE:
				X.XXX ±0.15	APPROVE	DATE	SHEET	1/1	5.08 WAFER 1*4P 180° DIP
AO	2012/09/18	NEW		Angle ± 3°			PROJ.	Customer NO.	
REV	DATE	MODIFICATION DESCRIPTION	CHANGE	DIM TOL					

WCON