

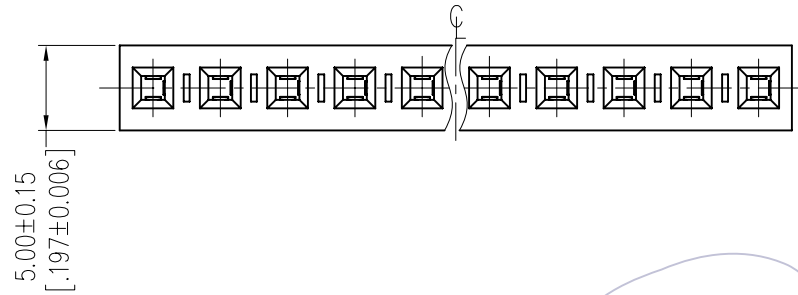
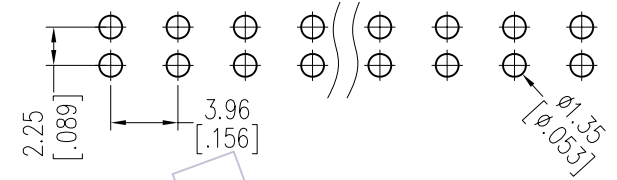
HSF

NOTES:

Current Rating: 7.0AMP
 Contact Resistance: 30mΩ Max
 Withstand Voltage: 1000V AC/DC
 Insulation Resistance: 1000MΩ Min
 Operation Temperature: -40°C to +105°C

Contact Material: Phosphor Bronze
 Contact plating: Sn over Ni
 Insulator Material: LCP+30%G.F UL94V-0

Recommended P.C.B Layout(Top Side)
 (PCB BOARD TOLERANCE±0.05)



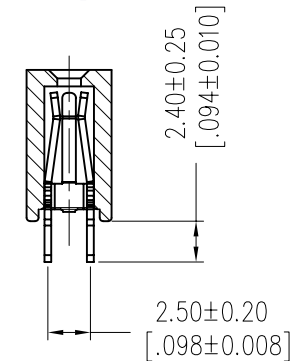
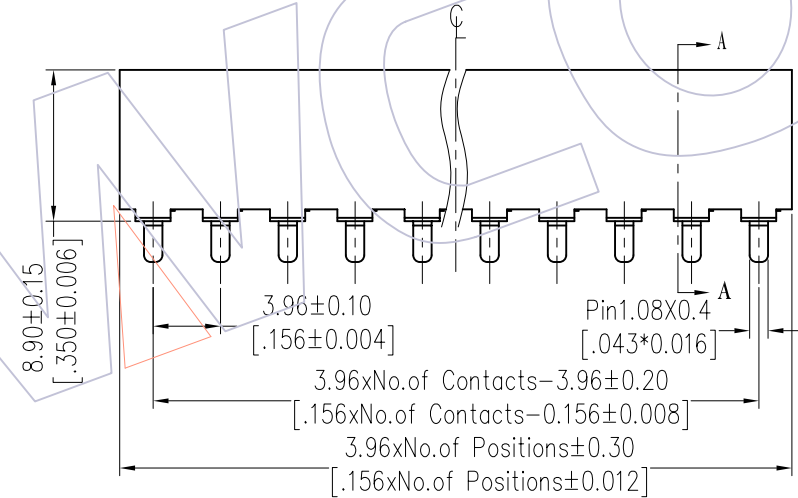
Ordering Information

2889 - 1 XX S XX DUNT 1

No. of Pins per ROW: 02-30PIN

SN=Tin
SM=Matte Tin

Packing:
T=Tube



Item	Pitch	Mating
Standard	3.96	1832
Alternate		

REV	DATE	MODIFICATION DESCRIPTION	CHANGE	OPERATION	DRAW	DATE	SCALE	FIT	PART NO.
				X.X ±0.40	JYHuang	2012/08/18	UNIT	mm	2889-1XXSXXDUNT1
				X.XX ±0.25	CHECK	DATE	SIZE	A4	
				X.XXX ±0.15			SHEET	1/1	TITLE: FH3.96 SINGLE ROW 180° DIP H=8.
AO	2012/08/18	NEW	-----	Angle ± 3°	APPROVE	DATE	PROJ.	☉	Customer NO.
				DIM TOL					