

# HSF

**NOTES:**

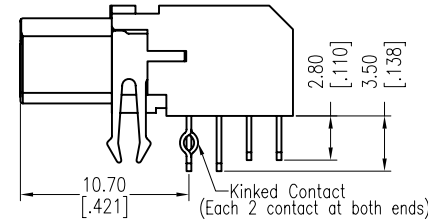
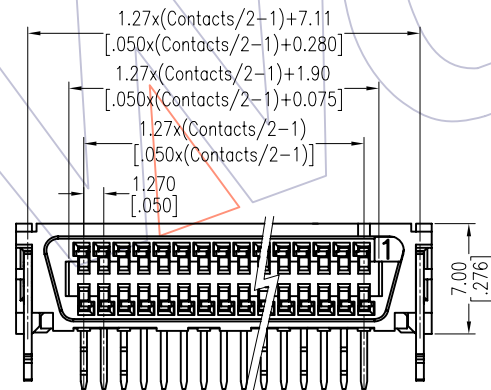
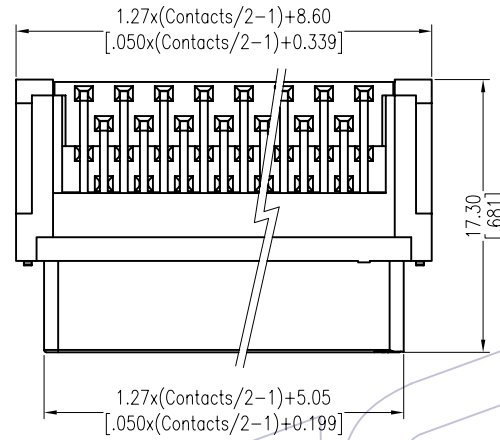
Current Rating:0.5A/Contact  
 Voltage Rating:250V AC  
 Contact Resistance:35milliohm Max  
 Withstand Voltage:500V AC/DC  
 Insulation Resistance:500Megohm Min  
 Operation Temperature:-20°C to +105°C

Housing Material:PBT+30%G.F UL94V-0 BK  
 Cover Material:PBT+30%G.F UL94V-0 BK  
 Terminal Material:Copper alloy  
 Board Lock Material:Copper alloy  
 Terminal plating:Sn-Au over Ni  
 Board Lock plating:Sn over Ni

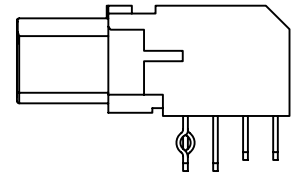
## Ordering Information

**6321D-XXX RD XX P X X 01**

No.of Pins    Contact Plating    Type    Packing  
 S1=3u"Gold/Tin    W:With Board Lock    T=Tube  
 S2=5u"Gold/Tin    N:Without Board Lock

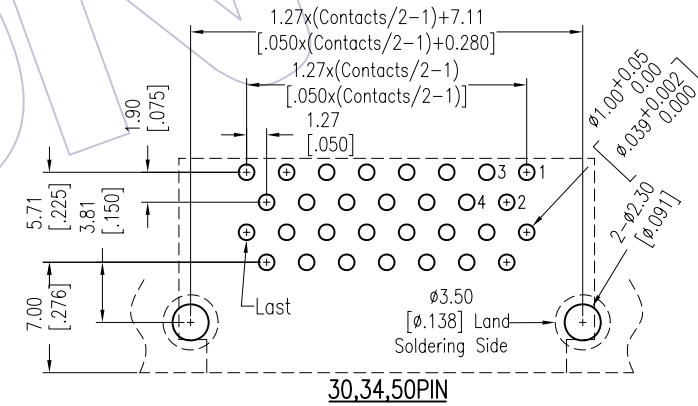
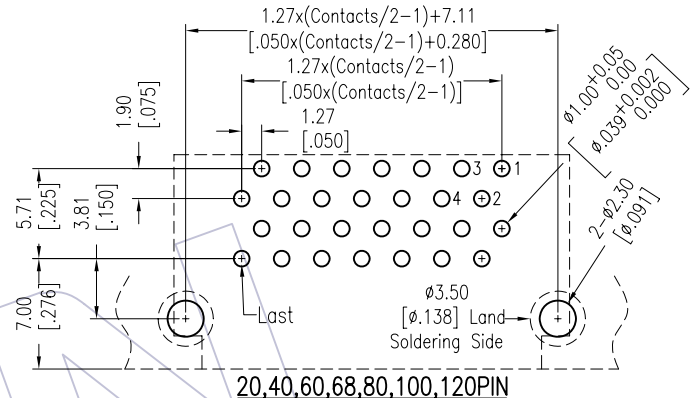


With Board Lock



Without Board Lock

## Recommended P.C.B Layout (Top Side) (PCB BOARD TOLERANCE±0.05)



				OPERATION	DRAW	DATE	SCALE	Fit	PART NO.
				X.X ±0.40	William Chen	2012.03.27	UNIT	mm	6321D-XXXRDXXPXX01
				X.XX ±0.25	CHECK	DATE	SIZE	A4	TITLE:
				X.XXX ±0.15	APPROVE	DATE	SHEET	1/1	1.27mm SCSI D-Type Female 90° DIP
AO	2012/03/27	NEW	-----	Angle ± 3'			PROJ.	⊕	Customer NO.
REV	DATE	MODIFICATION DESCRIPTION	CHANGE	DIM TOL					

**WCON**  
 Http: www.wcon.com

WCON-Dongguan    WCON-Kunshan  
 Tel: +86 769 85358920    Tel: +86 512 57468408  
 Fax: +86 769 85358915    Fax: +86 512 57468468  
 E-mail: sales@wcon.com    E-mail: salesks@wcon.com